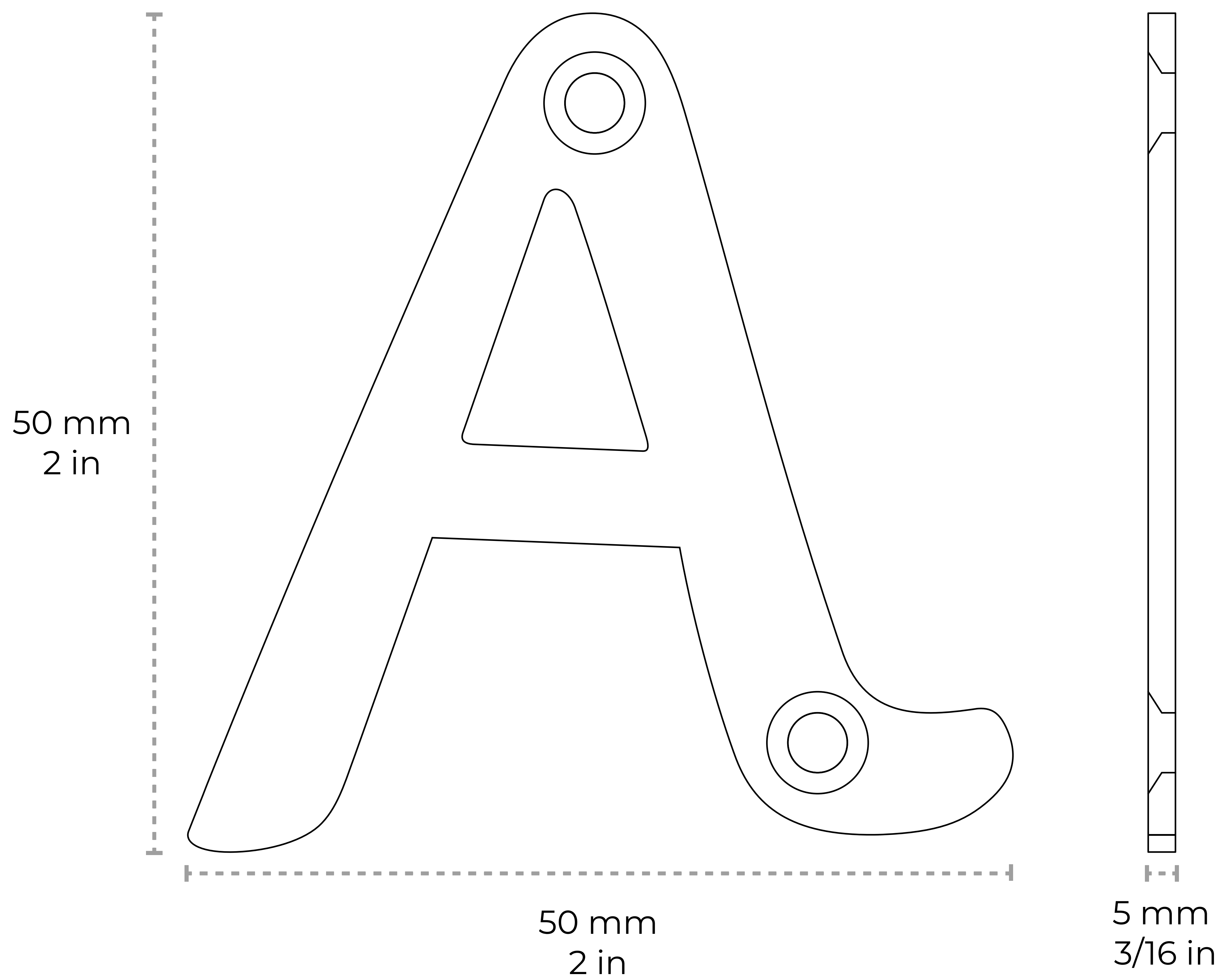


LT-IR530-50

[Letter IR530] Iron Vintage Small House Letter



Material	Iron
Length	50 mm 2 in
Thickness	5 mm 3/16 in

Contact:

1-360-392-8121

<https://www.rchhardware.com>



Letter	Weight (lbs)	Width (mm)	Width (in)
A	0.06	51	2
B	0.07	32	1 5/16
C	0.06	40	1 5/8
D	0.06	45	1 13/16
E	0.06	34	1 5/16
F	0.04	33	1 5/16
G	0.07	42	1 11/16
H	0.07	53	2 1/8
I	0.04	20	13/16
J	0.04	27	1 1/8
K	0.07	47	1 7/8
L	0.05	38	1 1/2
M	0.09	63	2 1/2
N	0.08	49	1 7/8
O	0.08	44	1 11/16
P	0.06	34	1 5/16
Q	0.08	40	1 5/8
R	0.08	45	1 13/16
S	0.06	31	1 3/16
T	0.04	40	1 5/8
U	0.08	53	2 1/8
V	0.06	47	1 7/8
W	0.11	69	2 11/16
X	0.06	47	1 7/8
Y	0.04	44	1 11/16
Z	0.07	42	1 11/16