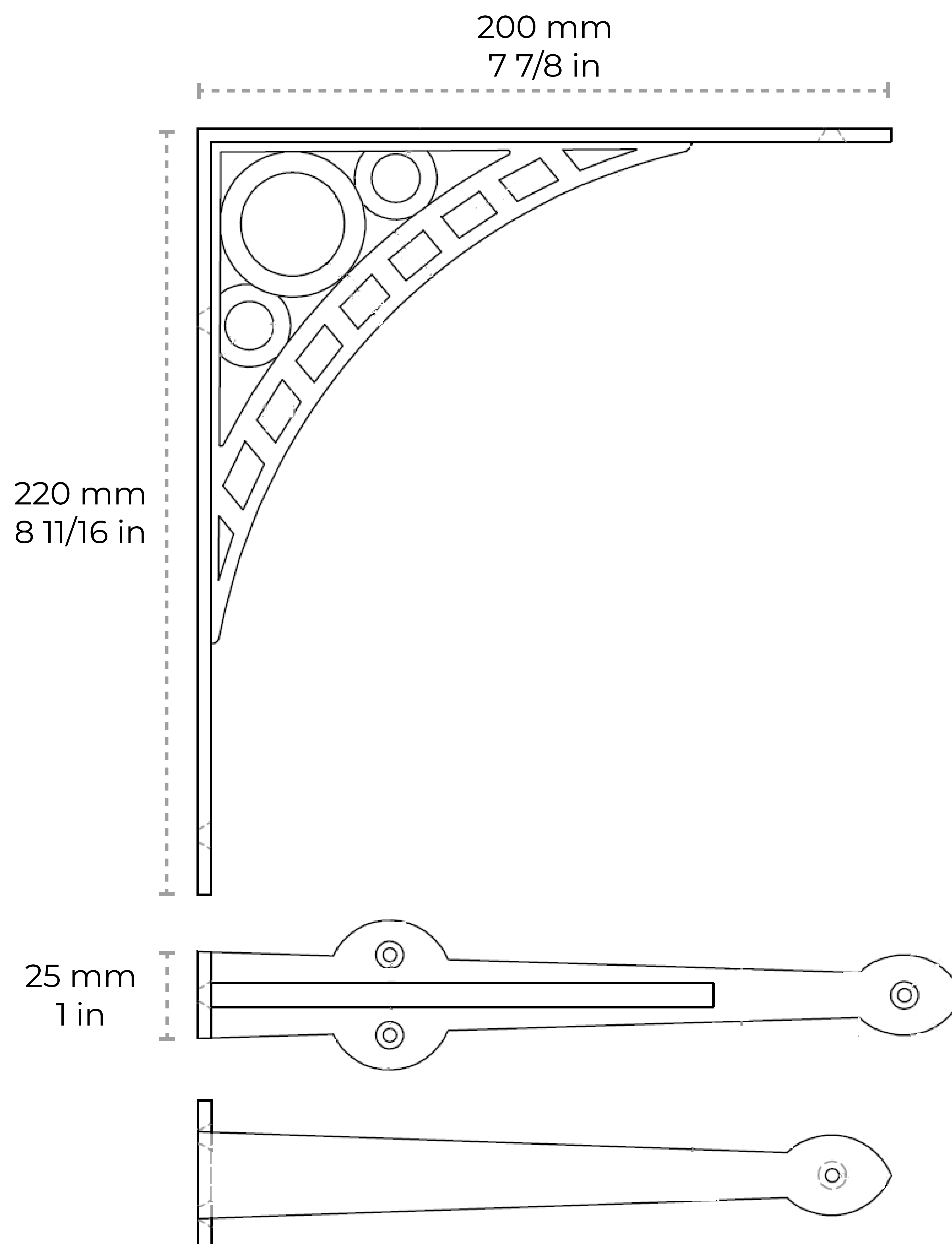


BK-IR7902-200

[Art Deco Bracket IR7902] Iron Industrial Shelf Bracket



Material	Iron
Weight	0.88 lbs
Measurements	Length: 220 mm 8 11/16 in Width: 25 mm 1 in Projection: 200 mm 7 7/8 in

Contact:

1-360-392-8121

<https://www.rchhardware.com>

