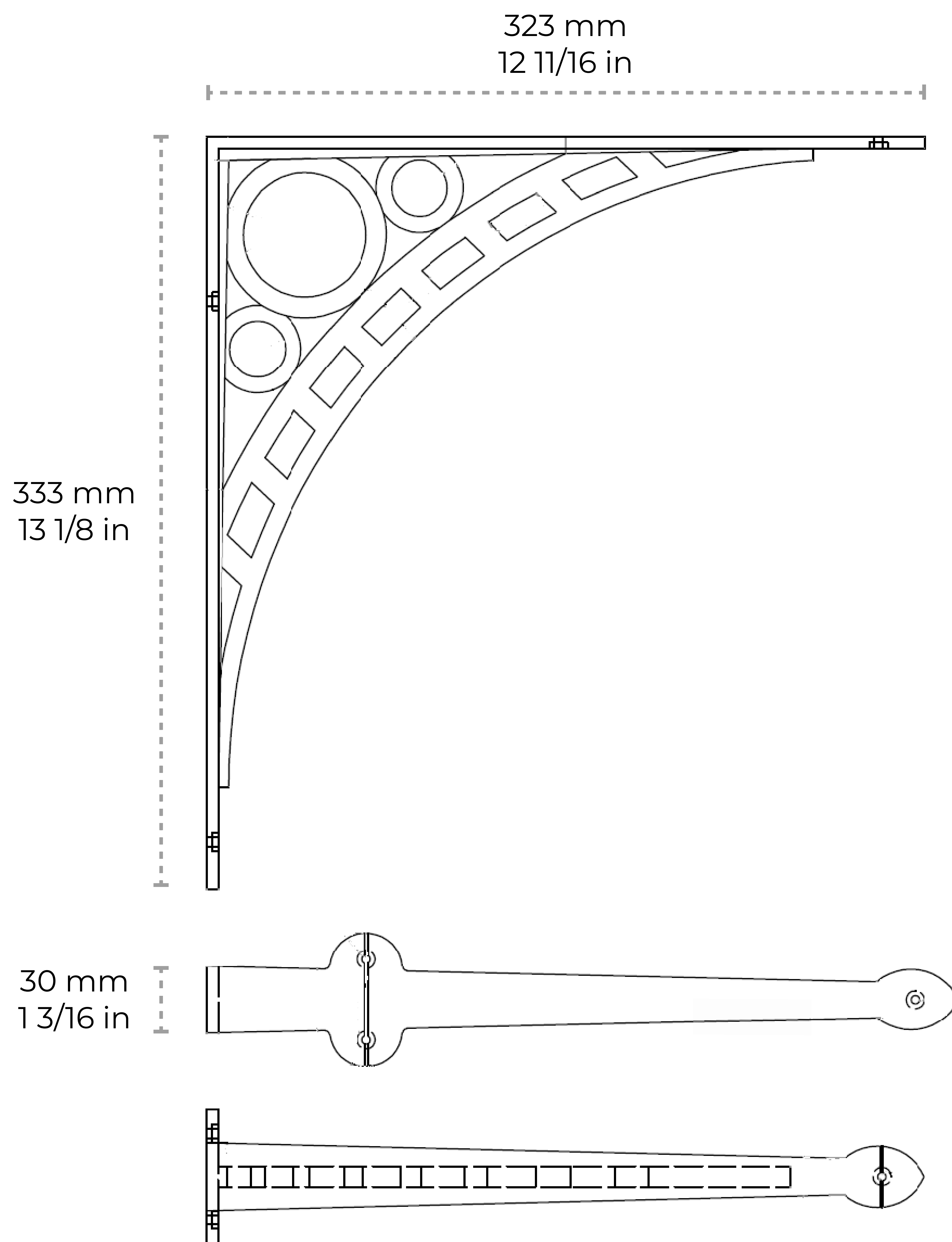


BK-IR7902-323

[Art Deco Bracket IR7902] Iron Industrial Shelf Bracket



Material	Iron
Weight	2.63 lbs
Measurements	Length: 333 mm 13 1/8 in Width: 30 mm 1 3/16 in Projection: 323 mm 12 11/16 in

Contact:

1-360-392-8121

<https://www.rchhardware.com>

