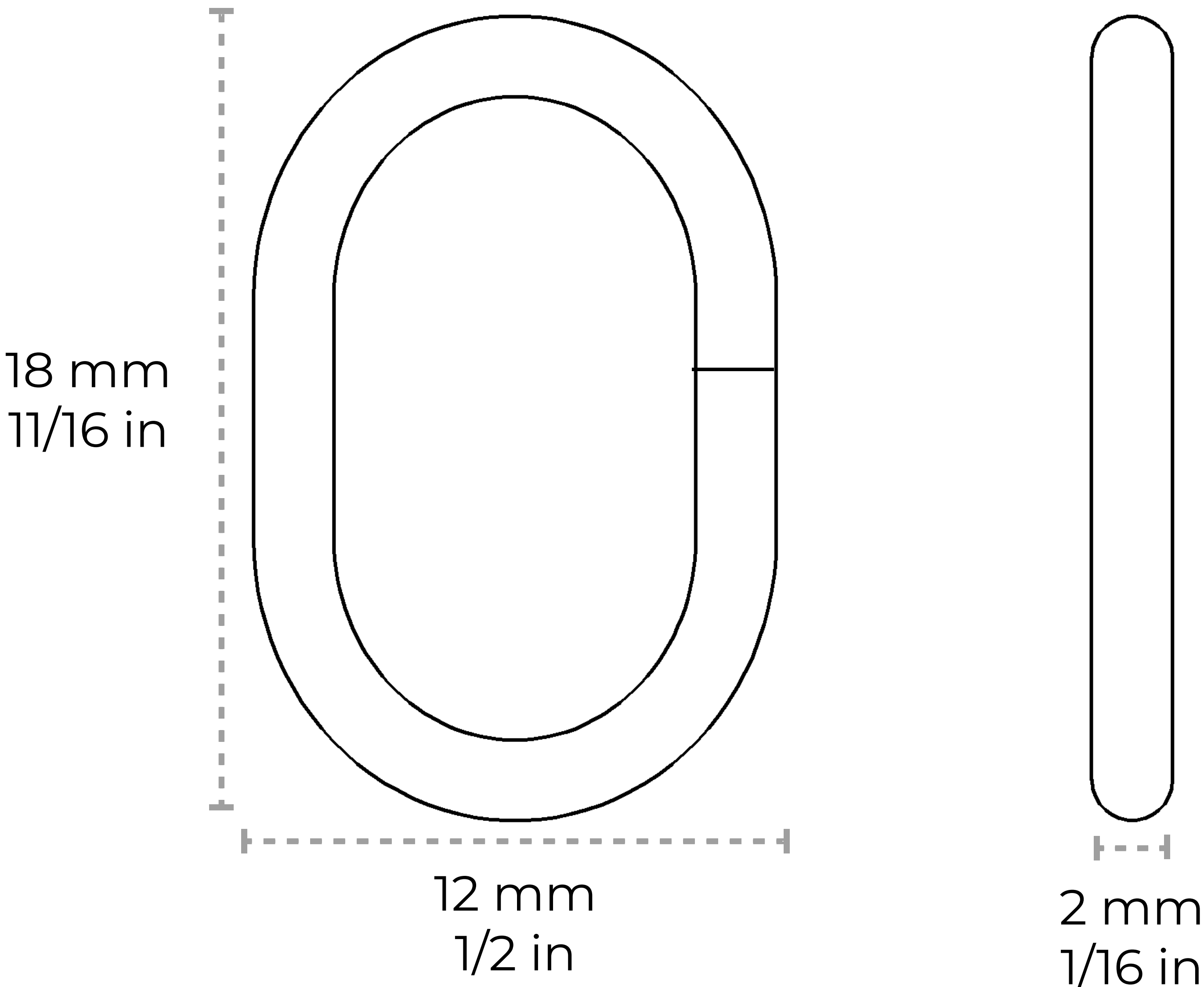


# CH-BR06-U18

## [Chain BR06-U] Brass Loop Chandelier Chain



Material	Brass
Welding Type	Unwelded
Max Load	5 lbs
Weight per Foot	0.06 lbs/ft
Main Link Measurements	Length: 18 mm 11/16 in Width: 12 mm 1/2 in Diameter: 2 mm 1/16 in

**Contact:**

1-360-392-8121

<https://www.rchhardware.com>

