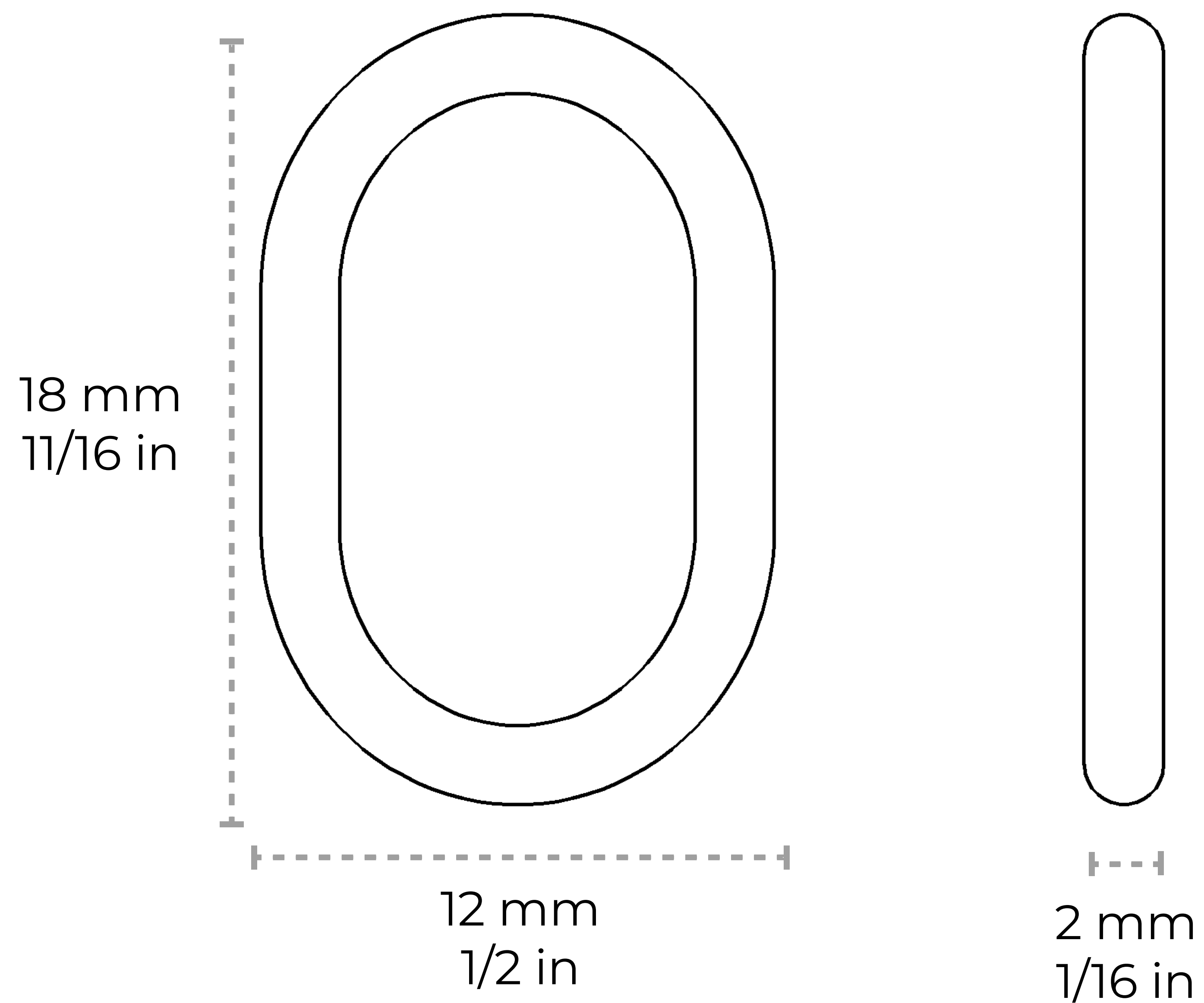


# CH-BR06-W18

[Chain BR06-W] Brass Loop Chandelier Chain



Material	Brass
Welding Type	Welded
Max Load	59 lbs
Weight per Foot	0.06 lbs/ft
Main Link Measurements	Length: 18 mm 11/16 in Width: 12 mm 1/2 in Diameter: 2 mm 1/16 in

## Contact:

1-360-392-8121

<https://www.rchhardware.com>

