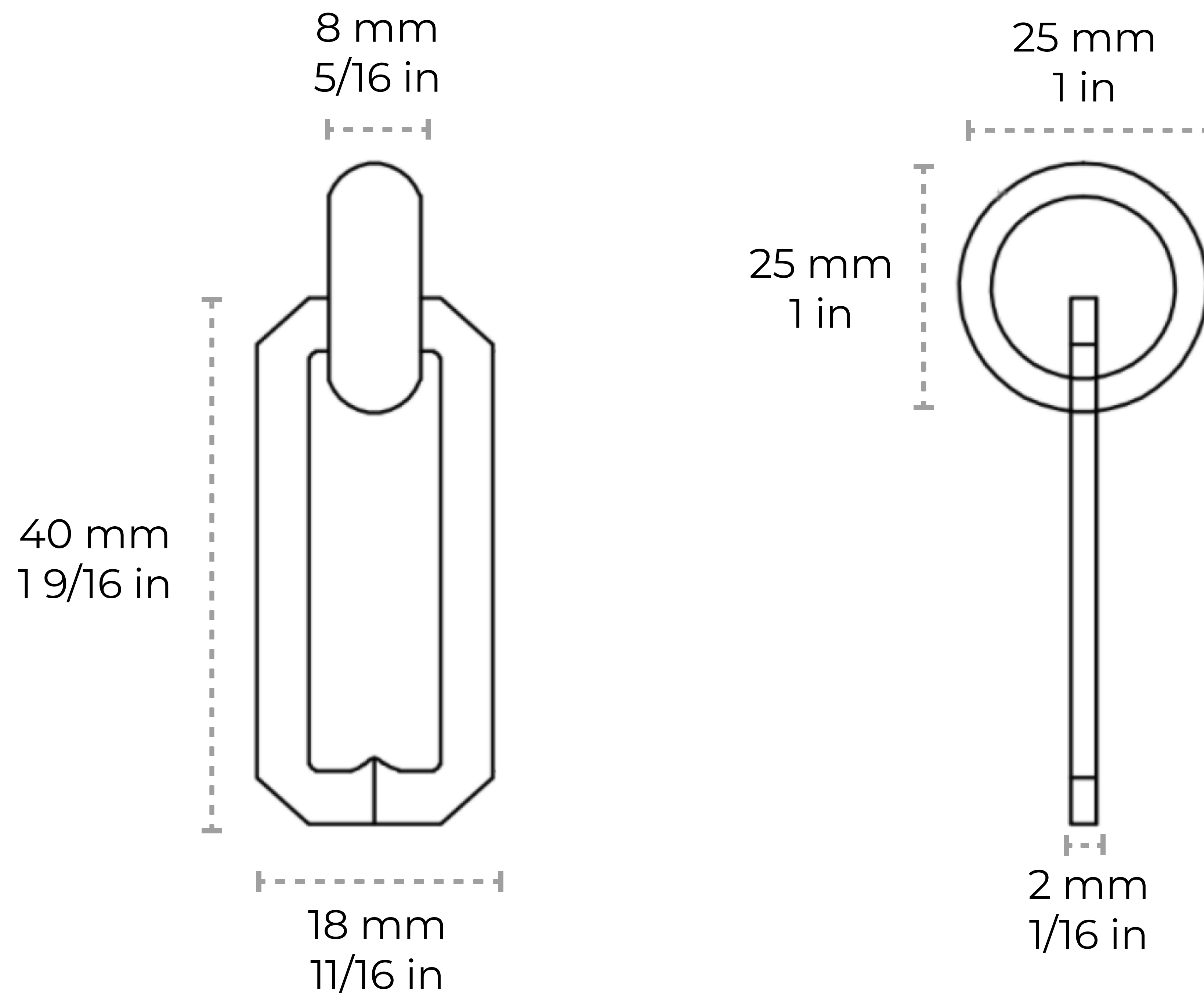


# CH-BR10-U40

## [Chain BR10-U] Brass Rectangle Chandelier Chain



Material	Brass	
Welding Type	Unwelded	
Max Load	51 lbs	
Weight per Foot	0.16 lbs/ft	
Main Link Measurements	Length:	40 mm 1 9/16 in
	Width:	18 mm 11/16 in
	Diameter:	2 mm 1/16 in
Connecting Link Measurements	Length:	25 mm 1 in
	Width:	25 mm 1 in
	Diameter:	8 mm 5/16 in

### Contact:

1-360-392-8121

<https://www.rchhardware.com>

