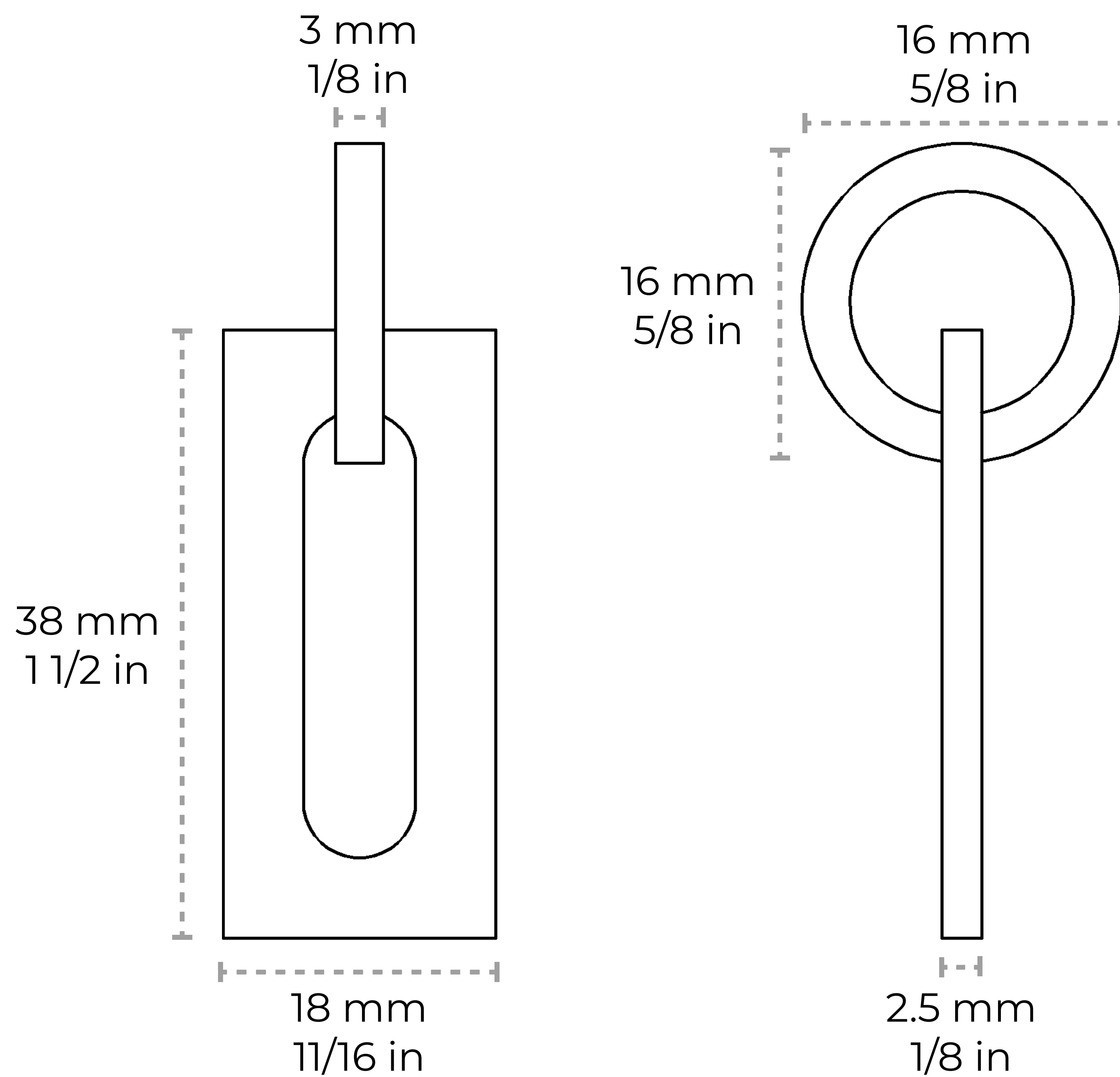


# CH-BR12-W38

## [Chain BR12-W] Brass Rectangle Chandelier Chain



Material	Brass
Welding Type	Welded
Max Load	Untested
Weight per Foot	0.22 lbs/ft
Main Link Measurements	Length: 38 mm 1 1/2 in Width: 18 mm 11/16 in Diameter: 2.5 mm 1/8 in
Connecting Link Measurements	Length: 16 mm 5/8 in Width: 16 mm 5/8 in Diameter: 3 mm 1/8 in

### Contact:

1-360-392-8121

<https://www.rchhardware.com>

