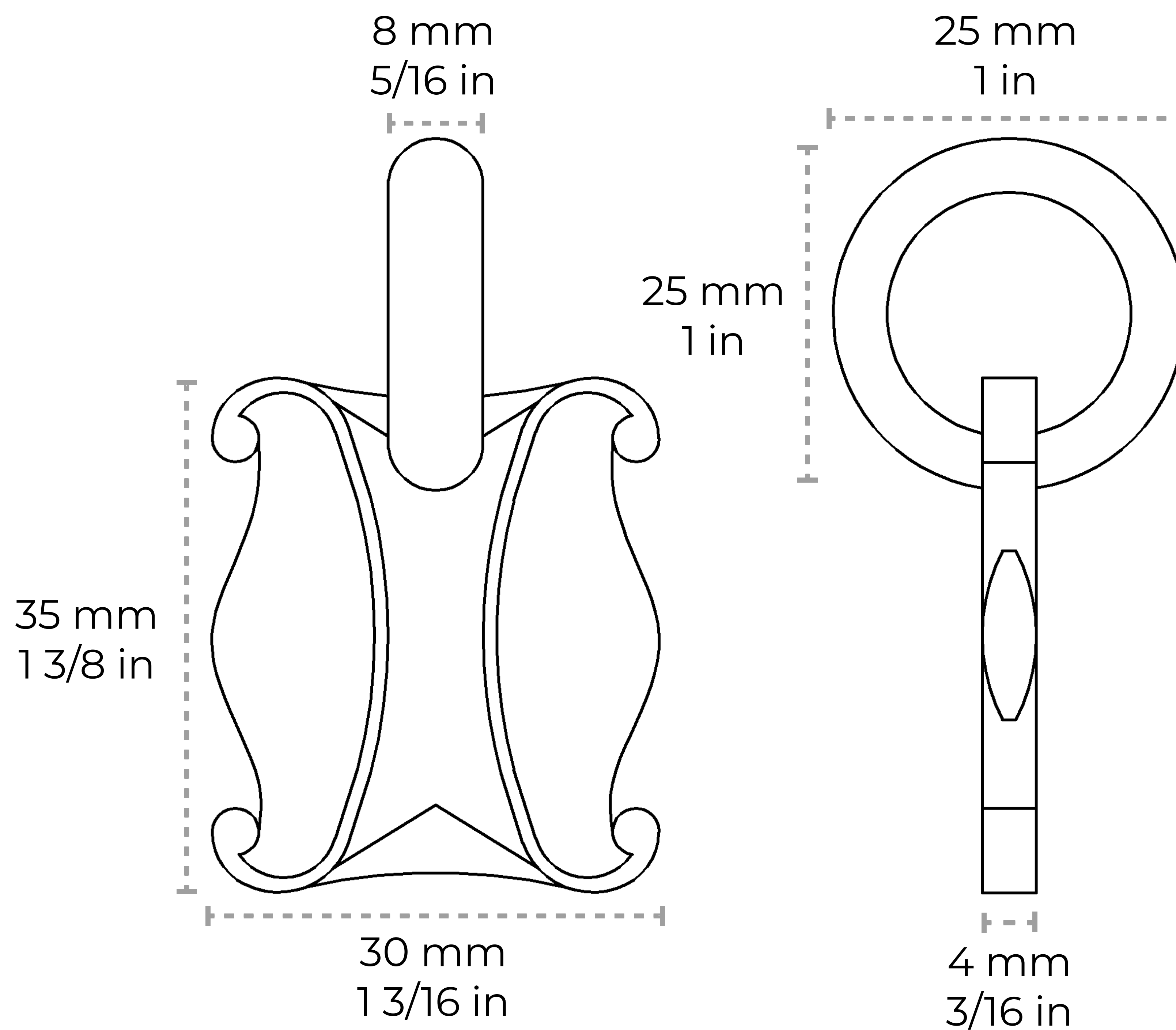


# CH-BR15-U35

## [Chain BR15-U] Brass Vintage Chandelier Chain



Material	Brass
Welding Type	Unwelded
Max Load	20 lbs
Weight per Foot	0.34 lbs/ft
Main Link Measurements	Length: 35 mm 1 3/8 in Width: 30 mm 1 3/16 in Diameter: 4 mm 3/16 in
Connecting Link Measurements	Length: 25 mm 1 in Width: 25 mm 1 in Diameter: 8 mm 5/16 in

### Contact:

1-360-392-8121

<https://www.rchhardware.com>

