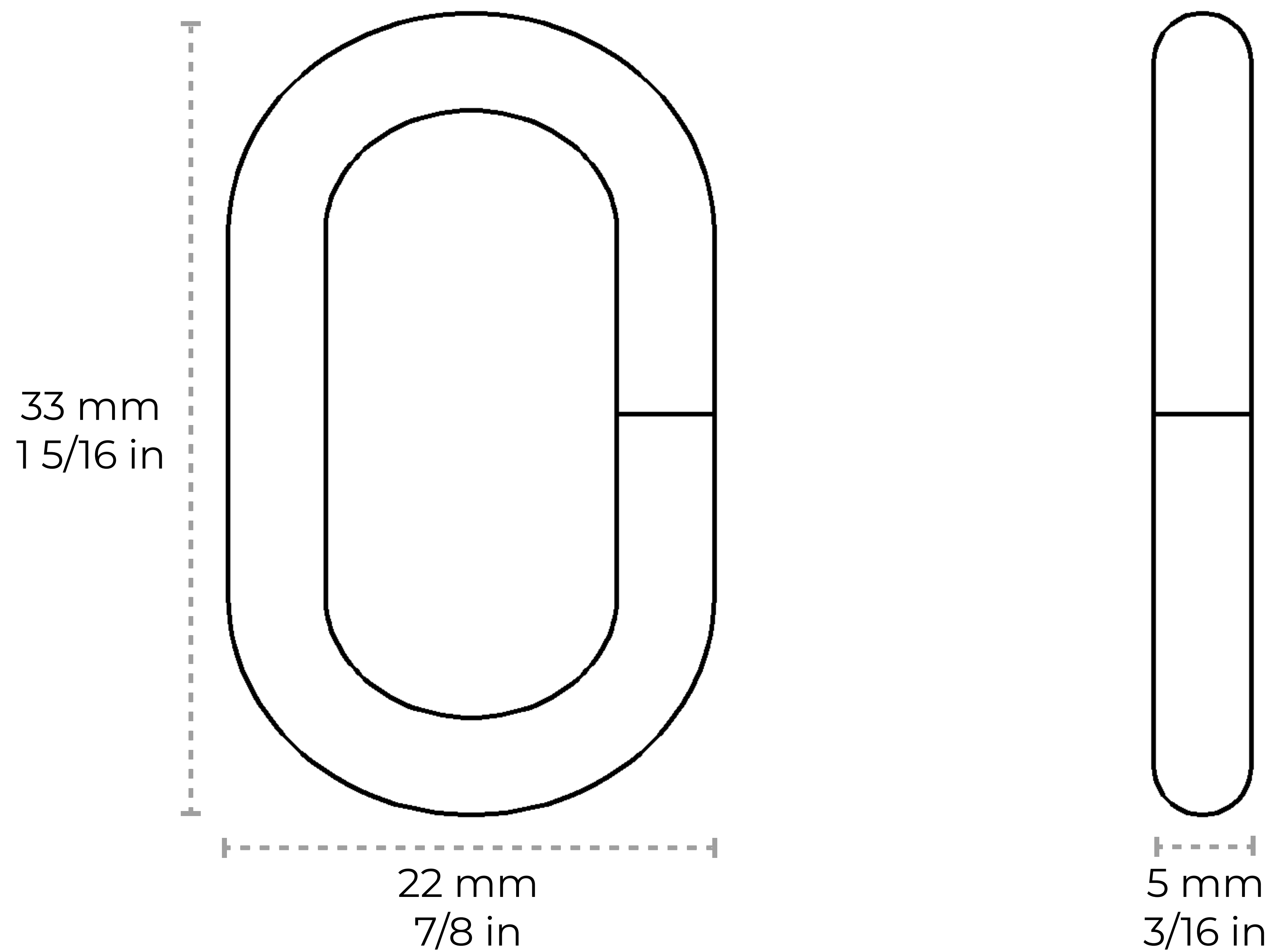


# CH-BR16-U33

[Chain BR16-U] Brass Round Chandelier Chain



Material	Brass
Welding Type	Unwelded
Max Load	44 lbs
Weight per Foot	0.34 lbs/ft
Main Link Measurements	Length: 33 mm 1 5/16 in Width: 22 mm 7/8 in Diameter: 5 mm 3/16 in

## Contact:

1-360-392-8121

<https://www.rchhardware.com>

