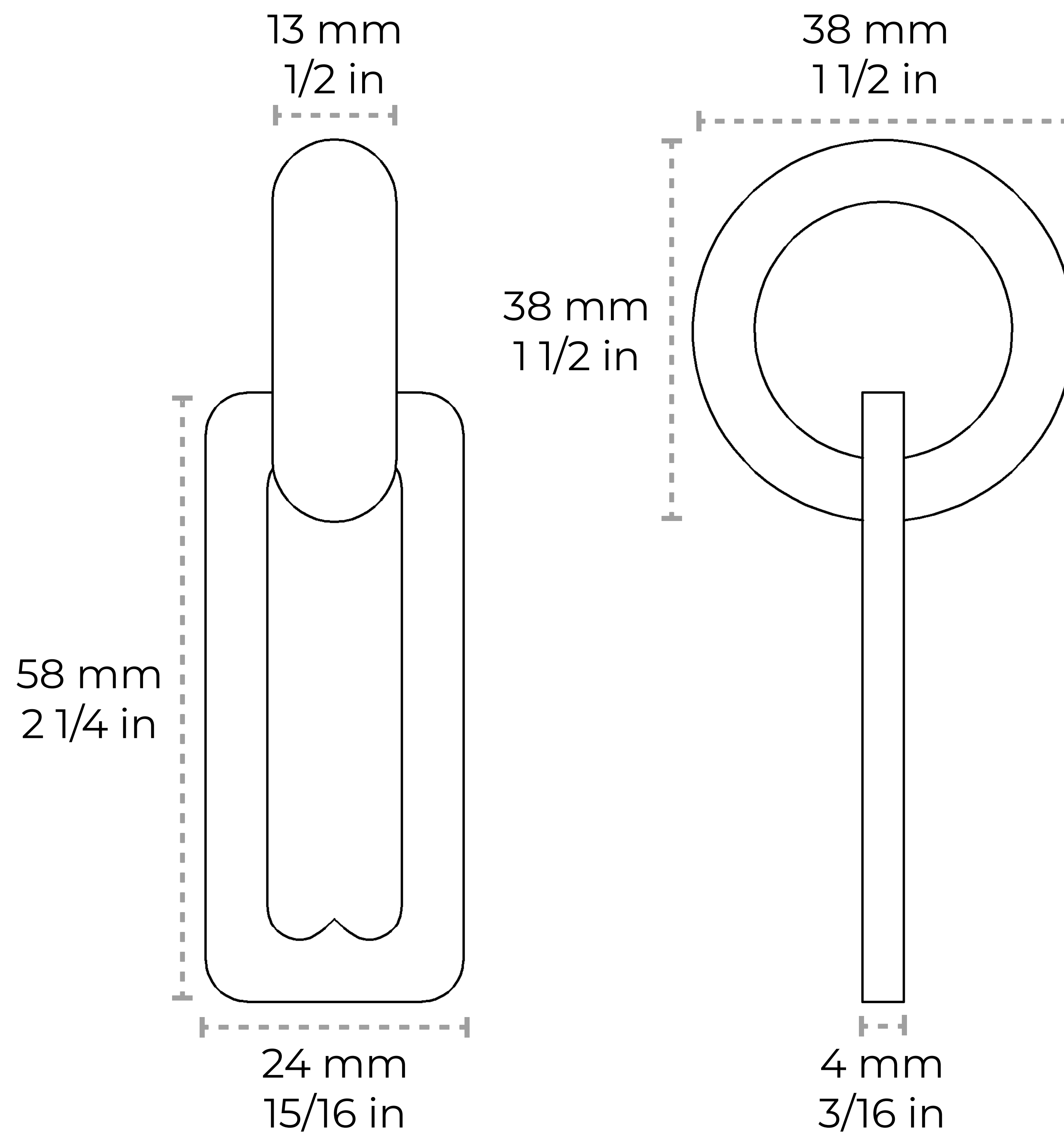


CH-BR19-U58

[Chain BR19-U] Brass Rectangle Chandelier Chain



Material	Brass
Welding Type	Unwelded
Max Load	56 lbs
Weight per Foot	0.38 lbs/ft
Main Link Measurements	Length: 58 mm 2 1/4 in Width: 24 mm 15/16 in Diameter: 4 mm 3/16 in
Connecting Link Measurements	Length: 38 mm 1 1/2 in Width: 38 mm 1 1/2 in Diameter: 13 mm 1/2 in

Contact:

1-360-392-8121

<https://www.rchhardware.com>

