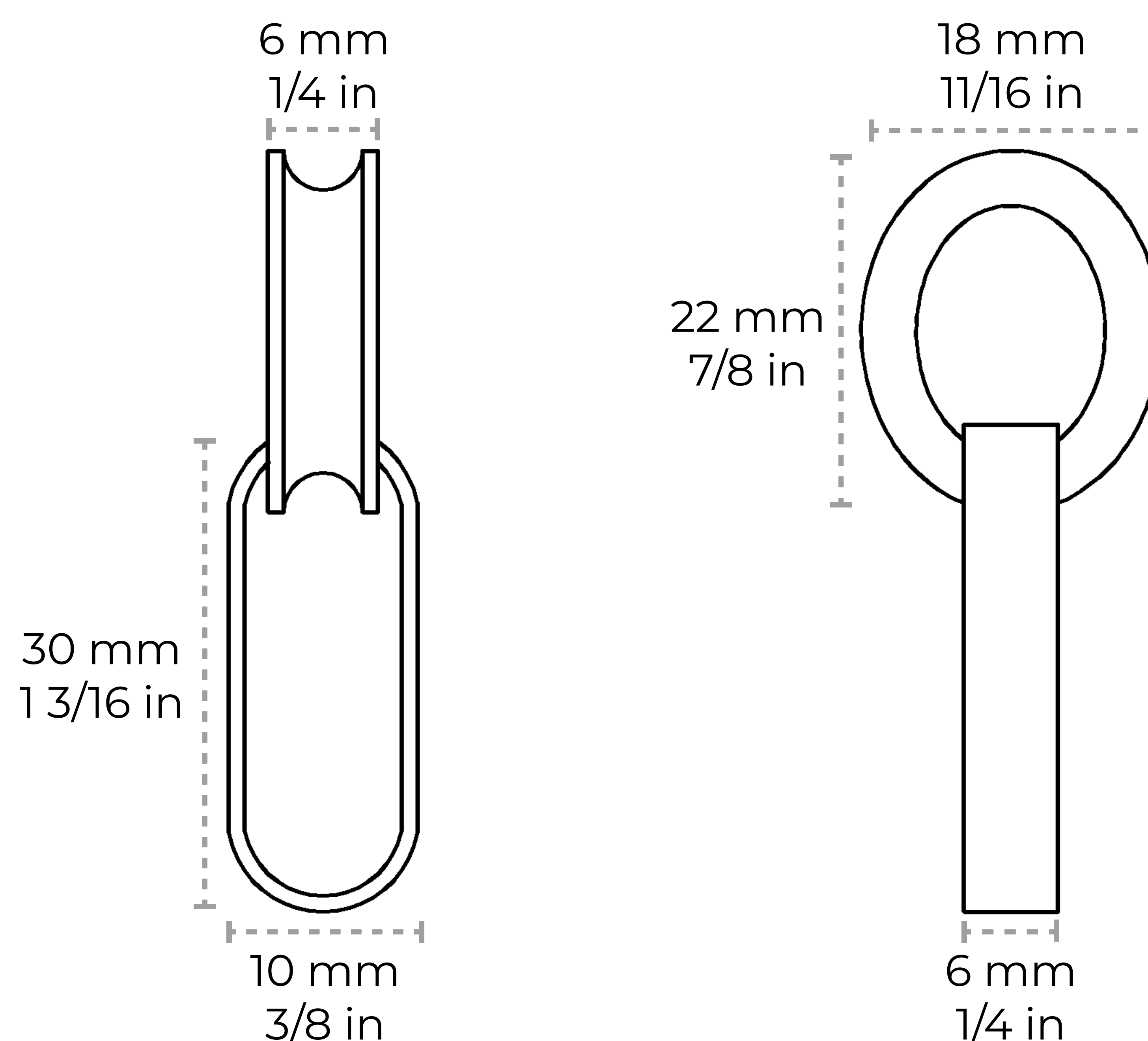


CH-BR27-W30

[Chain BR27-W] Brass Rectangle Chandelier Chain



Material	Brass
Welding Type	Welded
Max Load	62 lbs
Weight per Foot	0.16 lbs/ft
Main Link Measurements	Length: 30 mm 1 3/16 in Width: 10 mm 3/8 in Diameter: 6 mm 1/4 in
Connecting Link Measurements	Length: 22 mm 7/8 in Width: 18 mm 11/16 in Diameter: 6 mm 1/4 in

Contact:

1-360-392-8121

<https://www.rchhardware.com>

