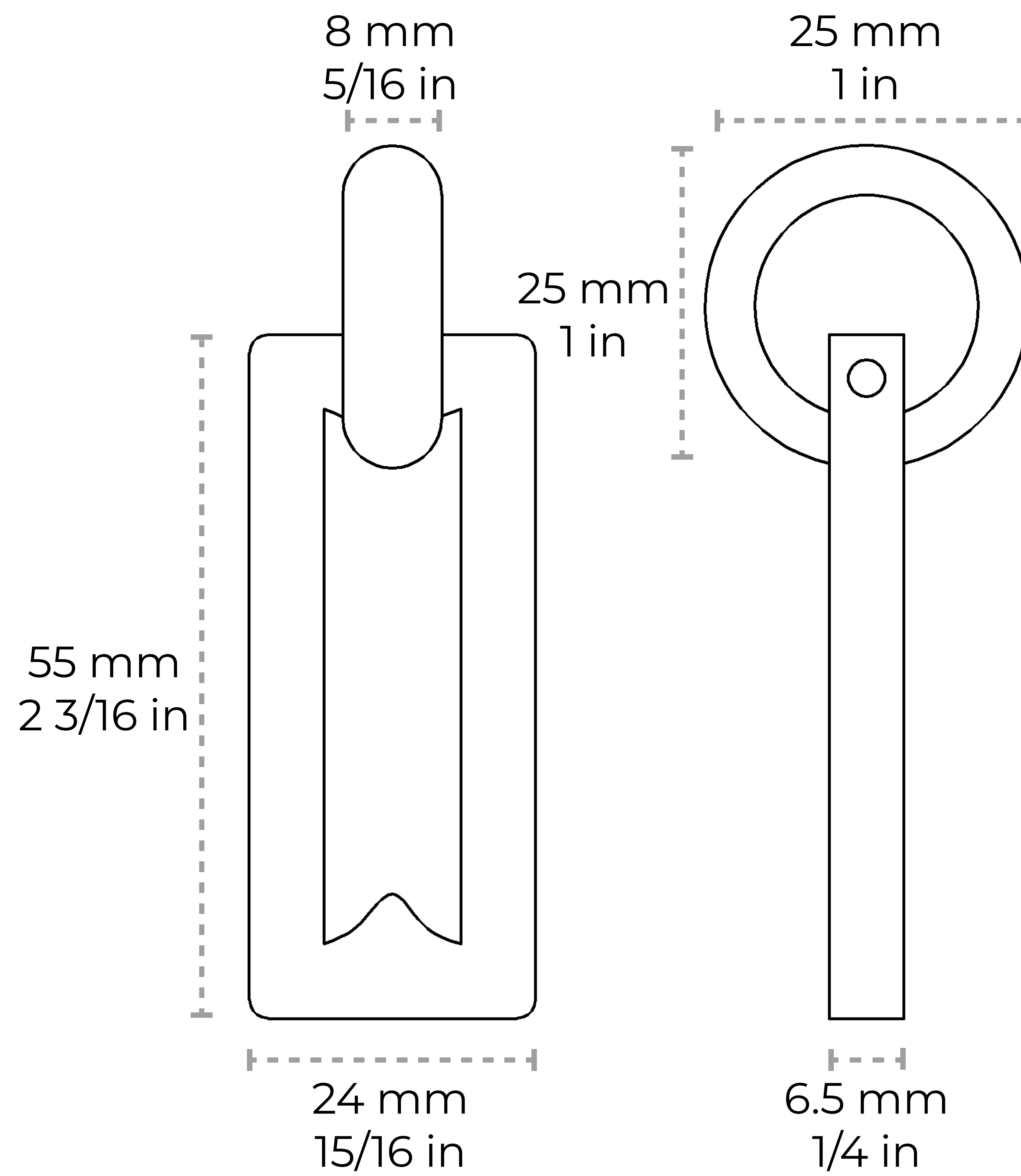


CH-BR31-H55

[Chain BR31-H] Brass Rectangle Chandelier Chain



Material	Brass
Welding Type	Hinge
Max Load	103 lbs
Weight per Foot	0.5 lbs/ft
Main Link Measurements	Length: 55 mm 2 3/16 in Width: 24 mm 15/16 in Diameter: 6.5 mm 1/4 in
Connecting Link Measurements	Length: 25 mm 1 in Width: 25 mm 1 in Diameter: 8 mm 5/16 in

Contact:

1-360-392-8121

<https://www.rchhardware.com>

