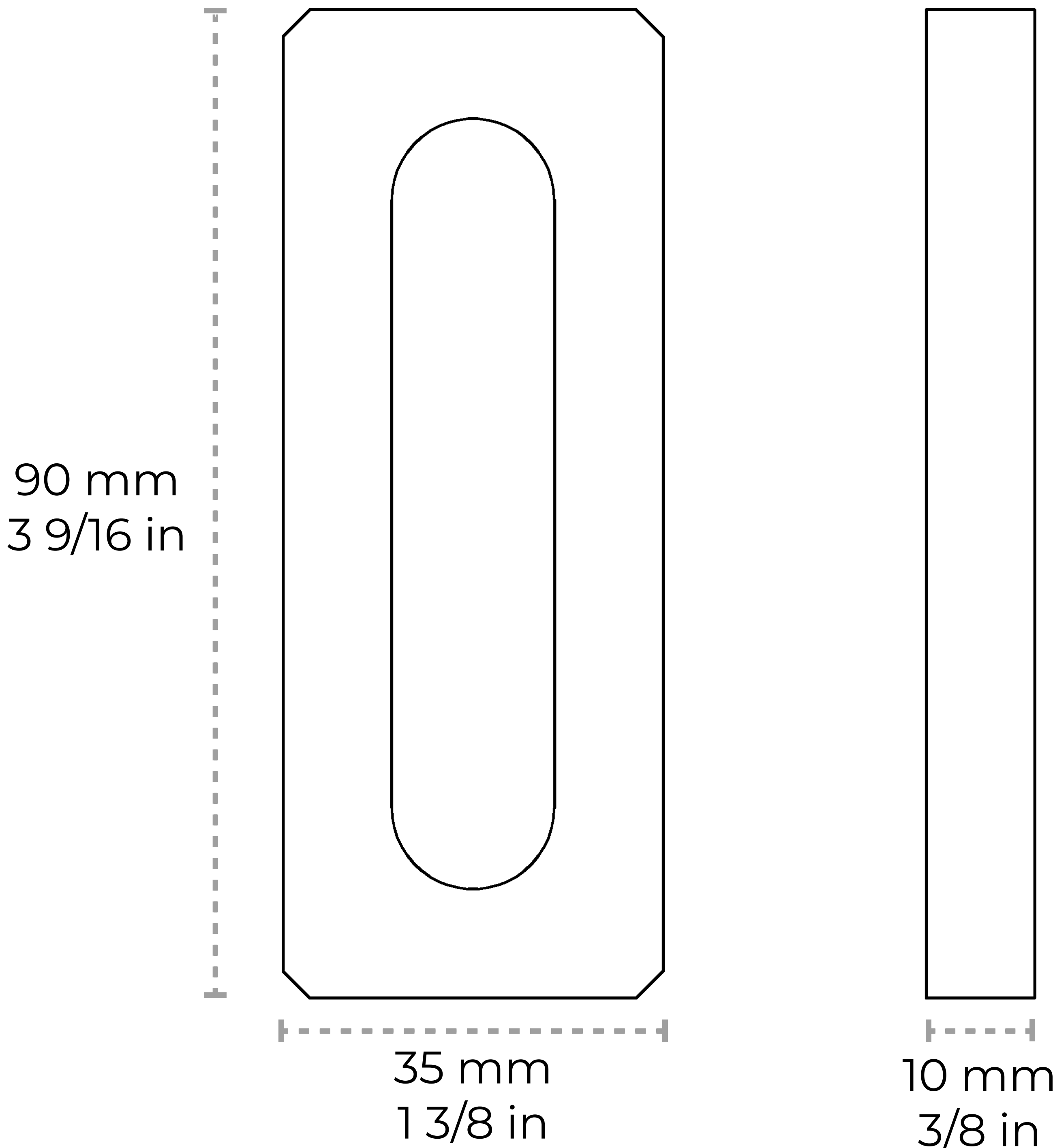


CH-BR31L-H90

[Chain BR31L-H] Brass Rectangle Chandelier Chain



Material	Brass
Welding Type	Hinge
Max Load	350 lbs
Weight per Foot	1.63 lbs/ft
Main Link Measurements	Length: 90 mm 3 9/16 in Width: 35 mm 1 3/8 in Diameter: 10 mm 3/8 in

Contact:

1-360-392-8121
<https://www.rchhardware.com>

