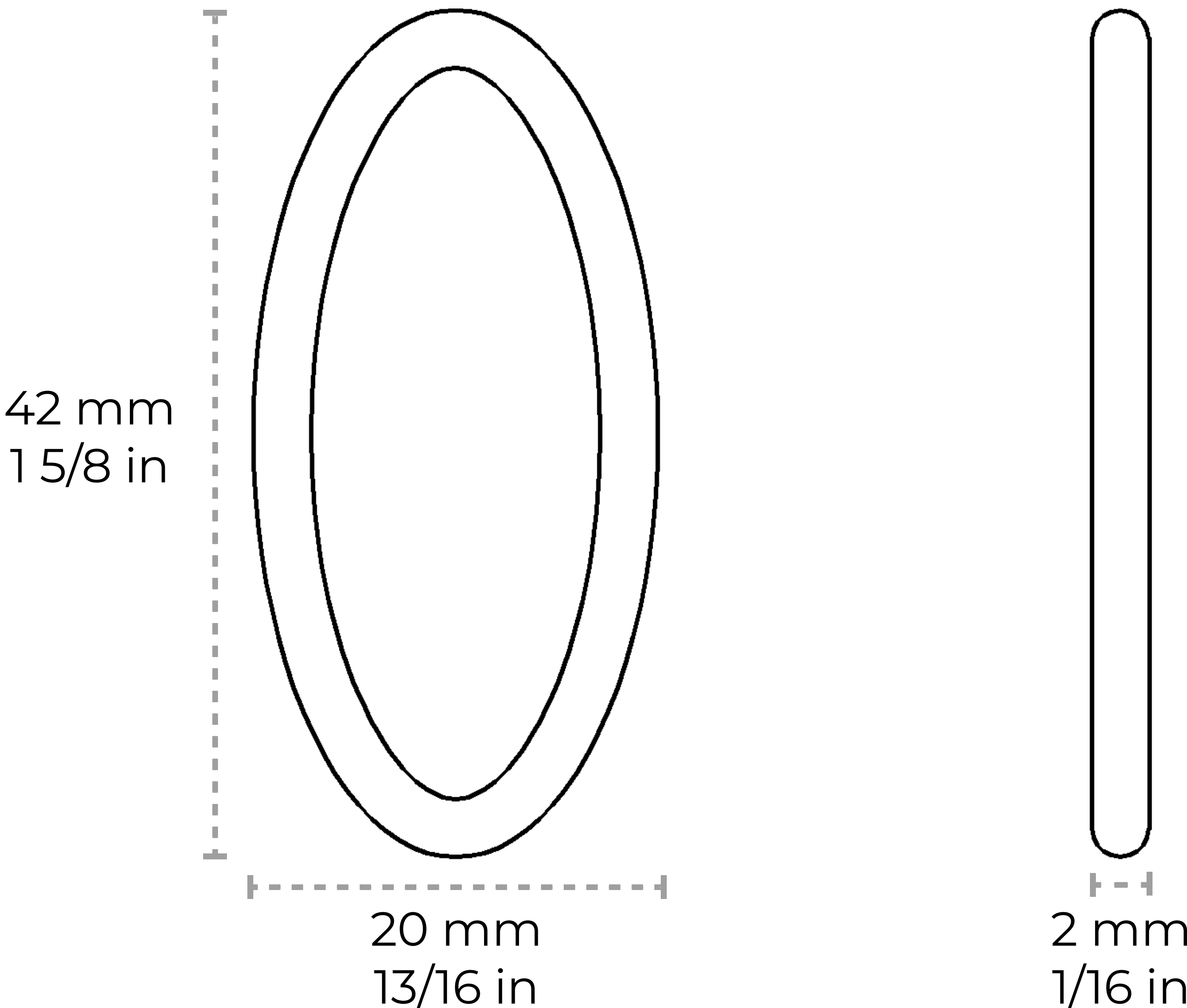


# CH-BR39-U42

## [Chain BR39-U] Brass Large Loop Chandelier Chain



Material	Brass
Welding Type	Unwelded
Max Load	5 lbs
Weight per Foot	0.06 lbs/ft
Main Link Measurements	Length: 42 mm 1 5/8 in Width: 20 mm 13/16 in Diameter: 2 mm 1/16 in

**Contact:**

1-360-392-8121  
<https://www.rchhardware.com>

