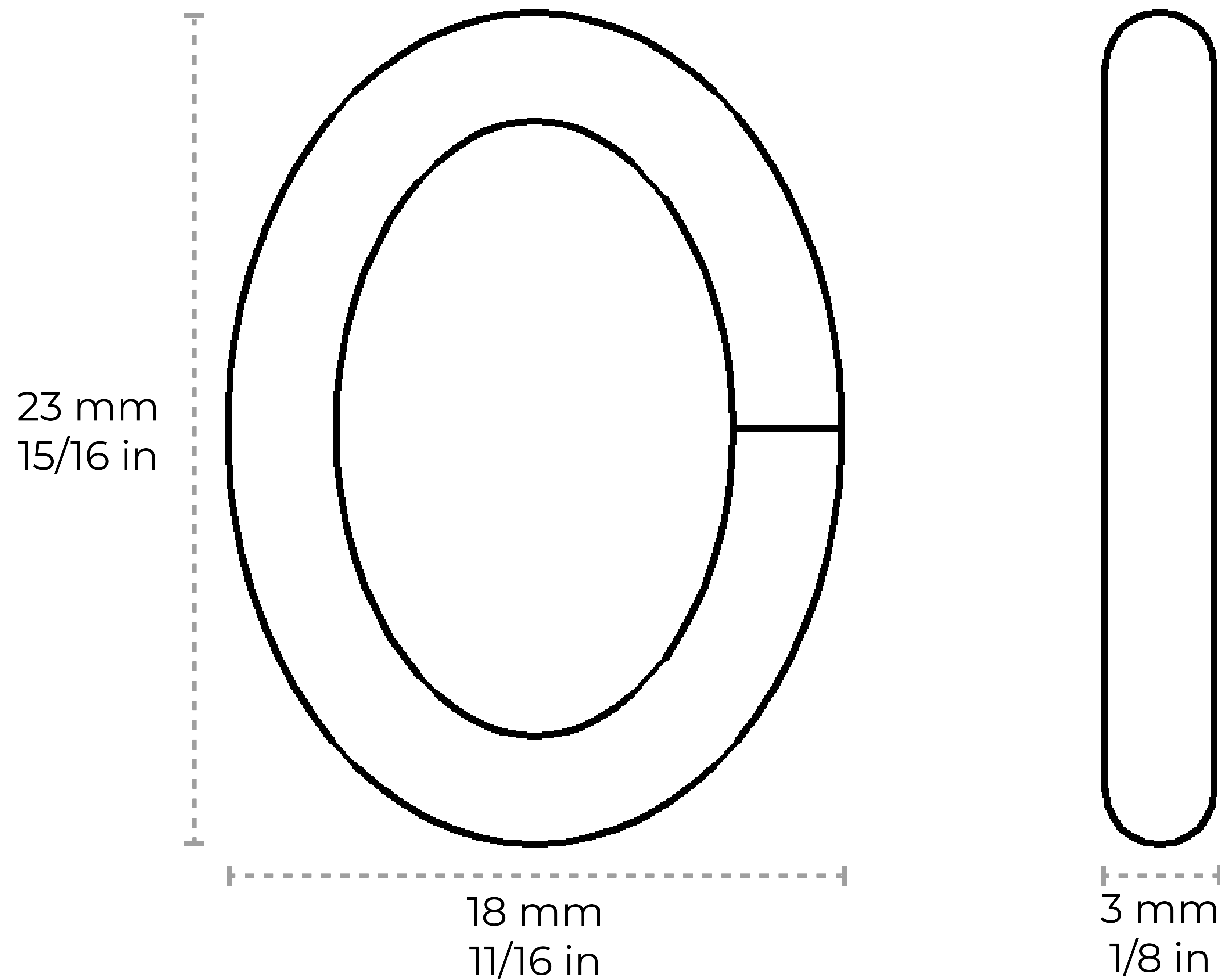


CH-BR42-U23

[Chain BR42-U] Brass Small Loop Chandelier Chain



Material	Brass
Welding Type	Unwelded
Max Load	24 lbs
Weight per Foot	0.13 lbs/ft
Main Link Measurements	Length: 23 mm 15/16 in Width: 18 mm 11/16 in Diameter: 3 mm 1/8 in

Contact:

1-360-392-8121

<https://www.rchhardware.com>

