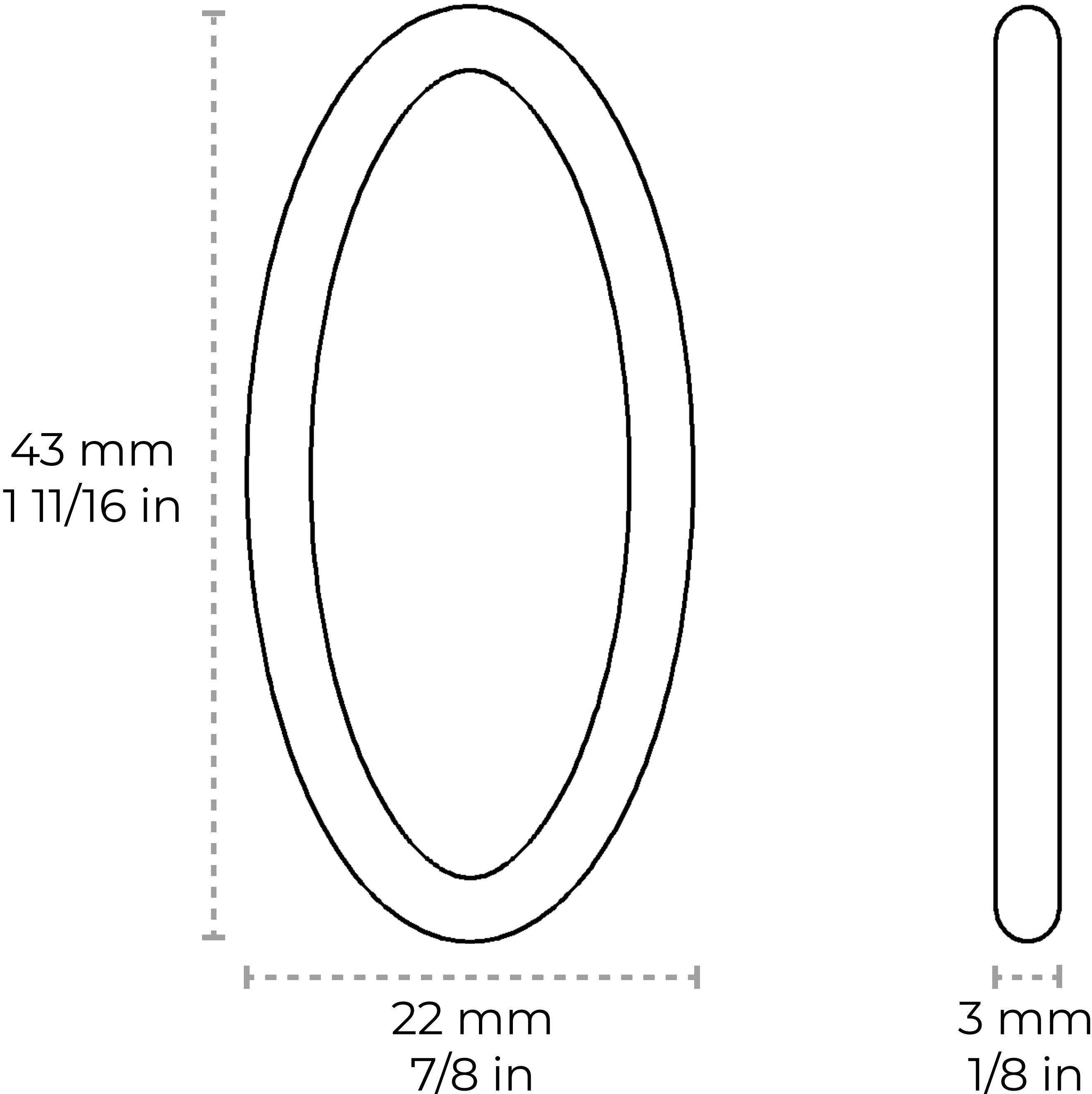


# CH-BR43-W43

[Chain BR43-W] Brass Large Loop Chandelier Chain



Material	Brass
Welding Type	Welded
Max Load	90 lbs
Weight per Foot	0.13 lbs/ft
Main Link Measurements	Length: 43 mm 1 11/16 in Width: 22 mm 7/8 in Diameter: 3 mm 1/8 in

**Contact:**

1-360-392-8121  
<https://www.rchhardware.com>

