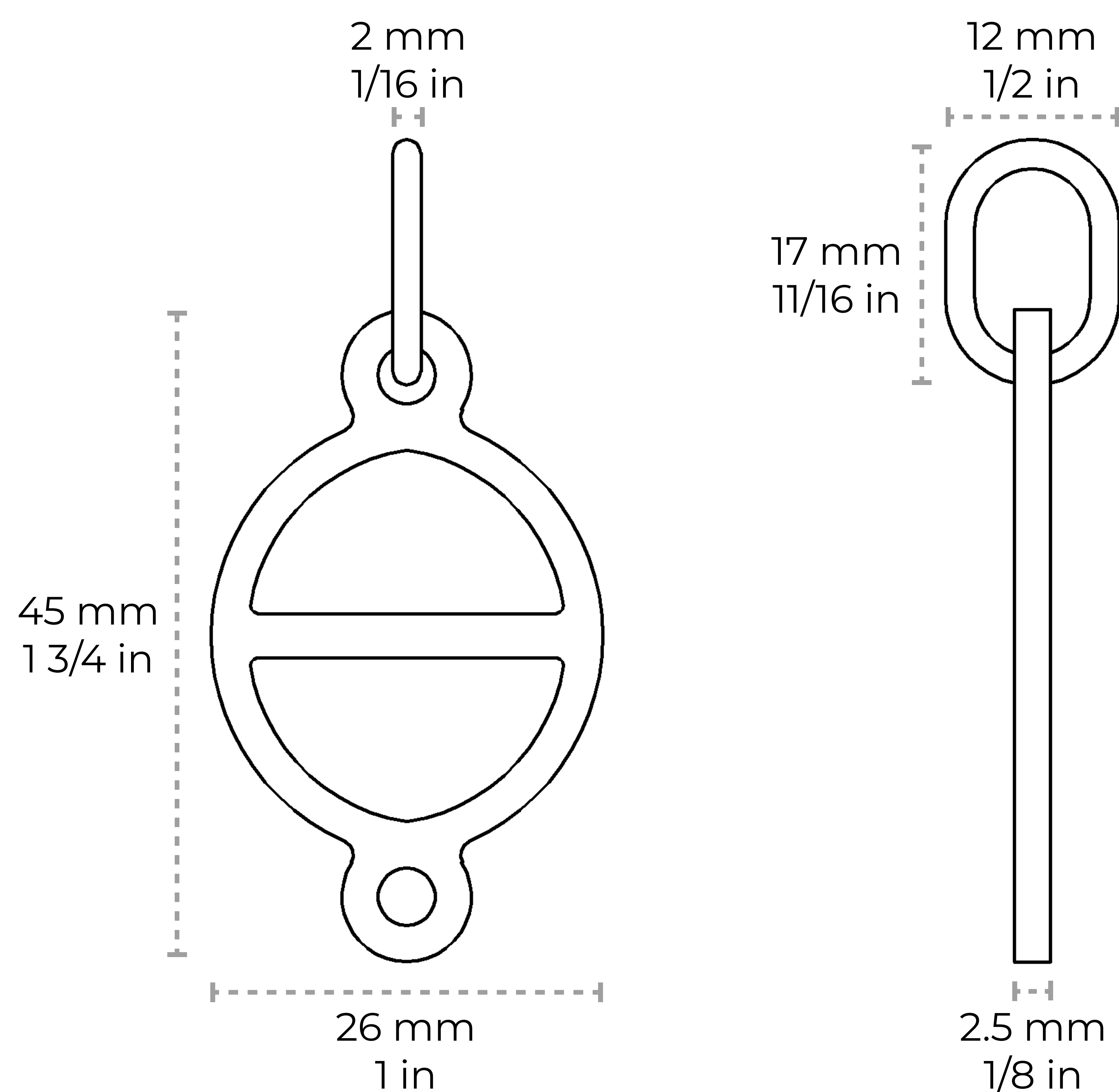


CH-BR45-W45

[Chain BR45-W] Brass Designer Chandelier Chain



Material	Brass
Welding Type	Welded
Max Load	64 lbs
Weight per Foot	0.09 lbs/ft
Main Link Measurements	Length: 45 mm 1 3/4 in Width: 26 mm 1 in Diameter: 2.5 mm 1/8 in
Connecting Link Measurements	Length: 17 mm 11/16 in Width: 12 mm 1/2 in Diameter: 2 mm 1/16 in

Contact:

1-360-392-8121

<https://www.rchhardware.com>

