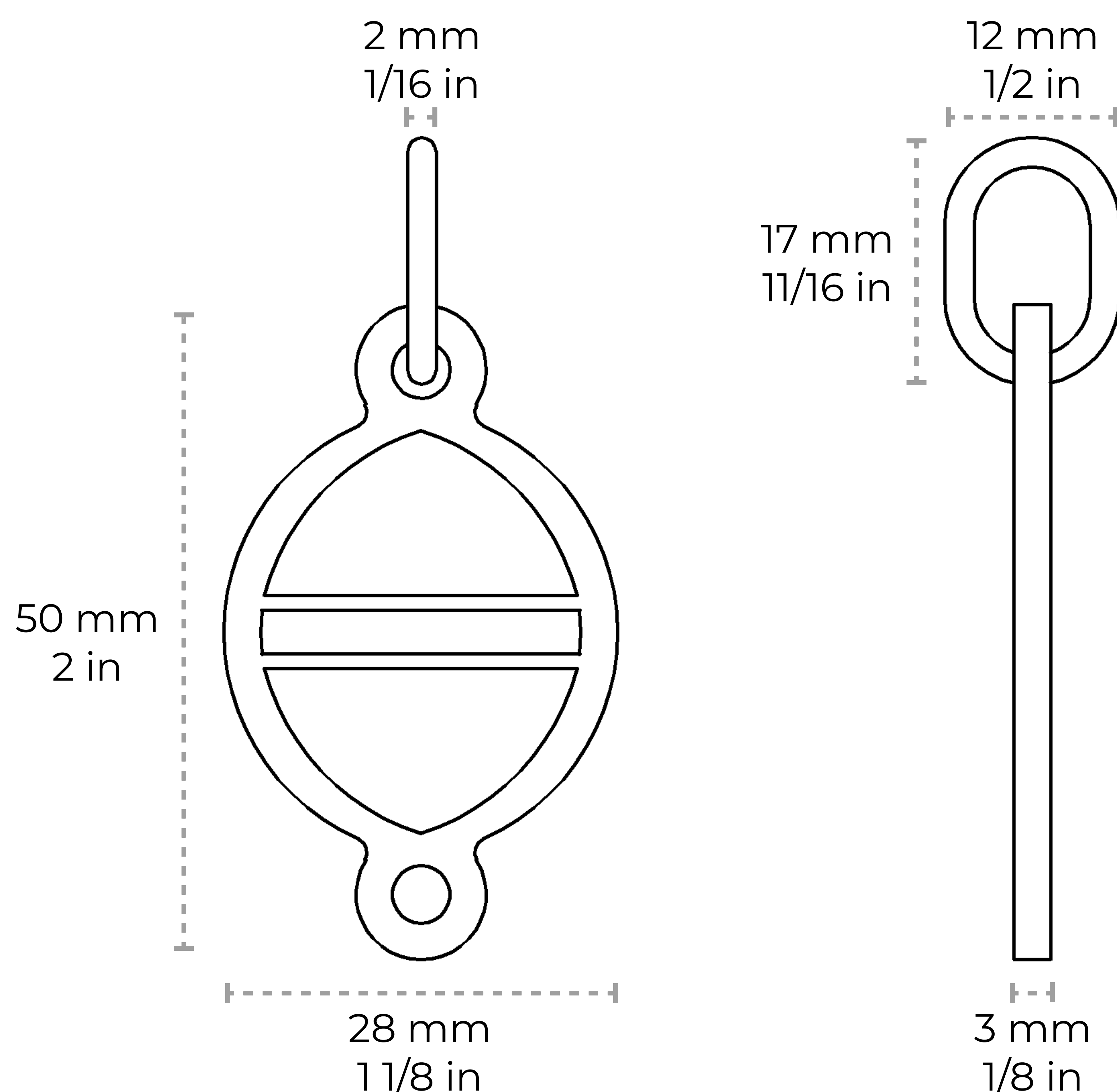


CH-BR46-W50

[Chain BR46-W] Brass Designer Chandelier Chain



Material	Brass
Welding Type	Welded
Max Load	56 lbs
Weight per Foot	0.09 lbs/ft
Main Link Measurements	Length: 50 mm 2 in Width: 28 mm 1 1/8 in Diameter: 3 mm 1/8 in
Connecting Link Measurements	Length: 17 mm 11/16 in Width: 12 mm 1/2 in Diameter: 2 mm 1/16 in

Contact:

1-360-392-8121

<https://www.rchhardware.com>

