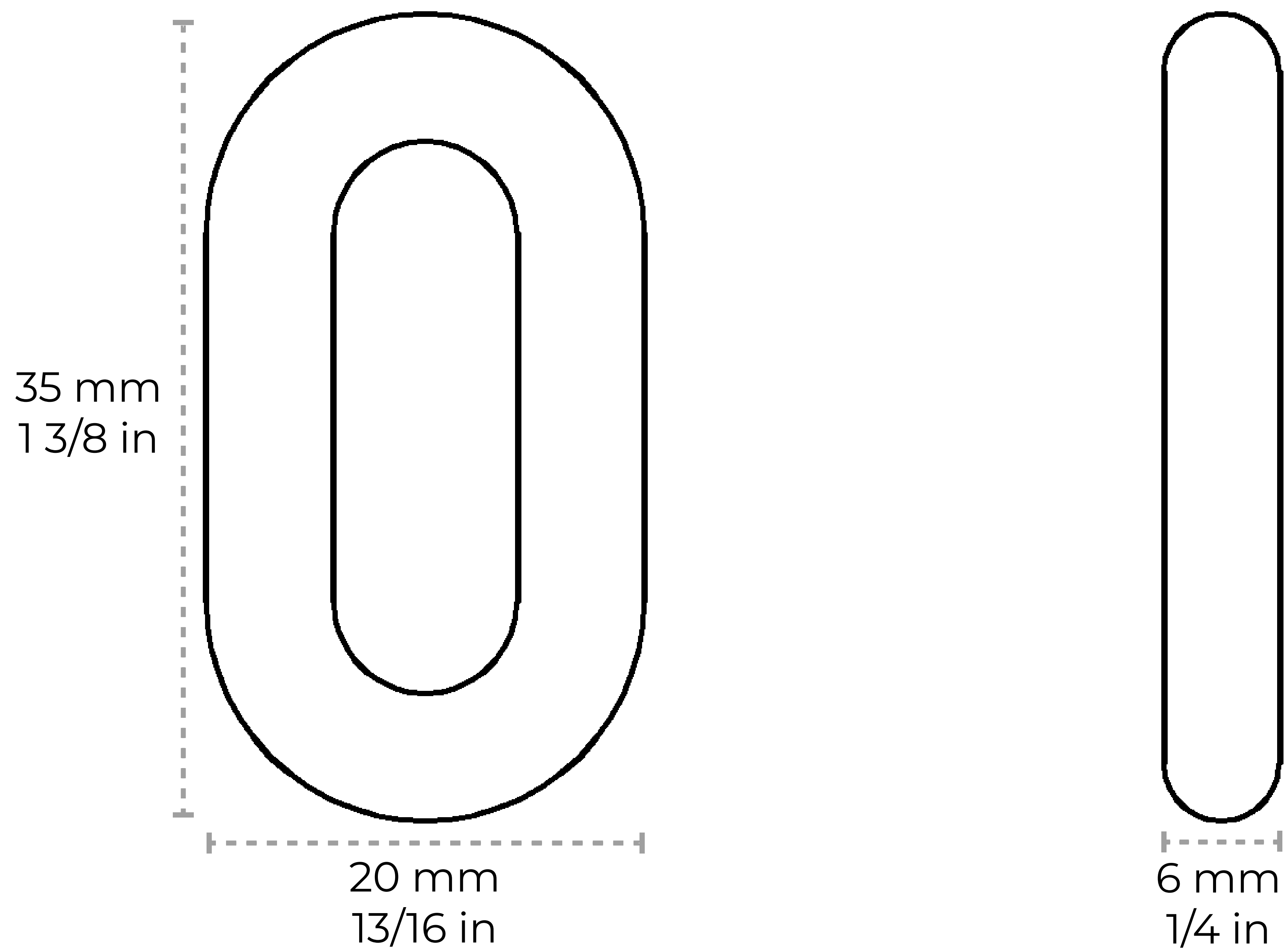


CH-PL55-U35

[Chain PL55-U] Plastic Standard Link Barrier Chain



Material	Plastic
Welding Type	Unwelded
Max Load	22 lbs
Weight per Foot	0.03 lbs/ft
Main Link Measurements	Length: 35 mm 1 3/8 in Width: 20 mm 13/16 in Diameter: 6 mm 1/4 in

Contact:

1-360-392-8121

<https://www.rchhardware.com>

