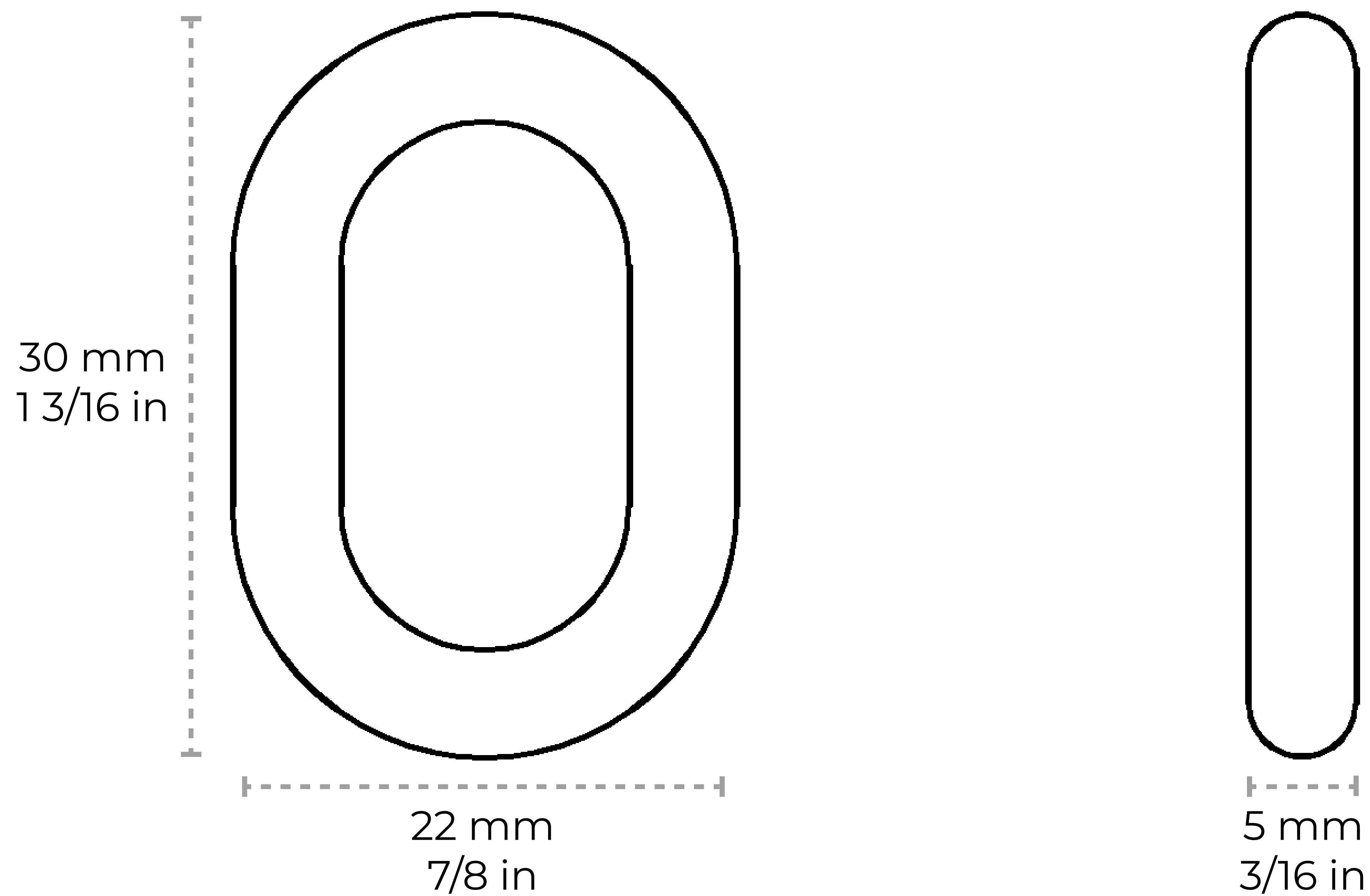


CH-ST60-W30

[Chain ST60-W] Steel Standard Link Chandelier Chain



Material	Steel
Welding Type	Welded
Max Load	450 lbs
Weight per Foot	0.34 lbs/ft
Main Link Measurements	Length: 30 mm 1 3/16 in Width: 22 mm 7/8 in Diameter: 5 mm 3/16 in

Contact:

1-360-392-8121

<https://www.rchhardware.com>

