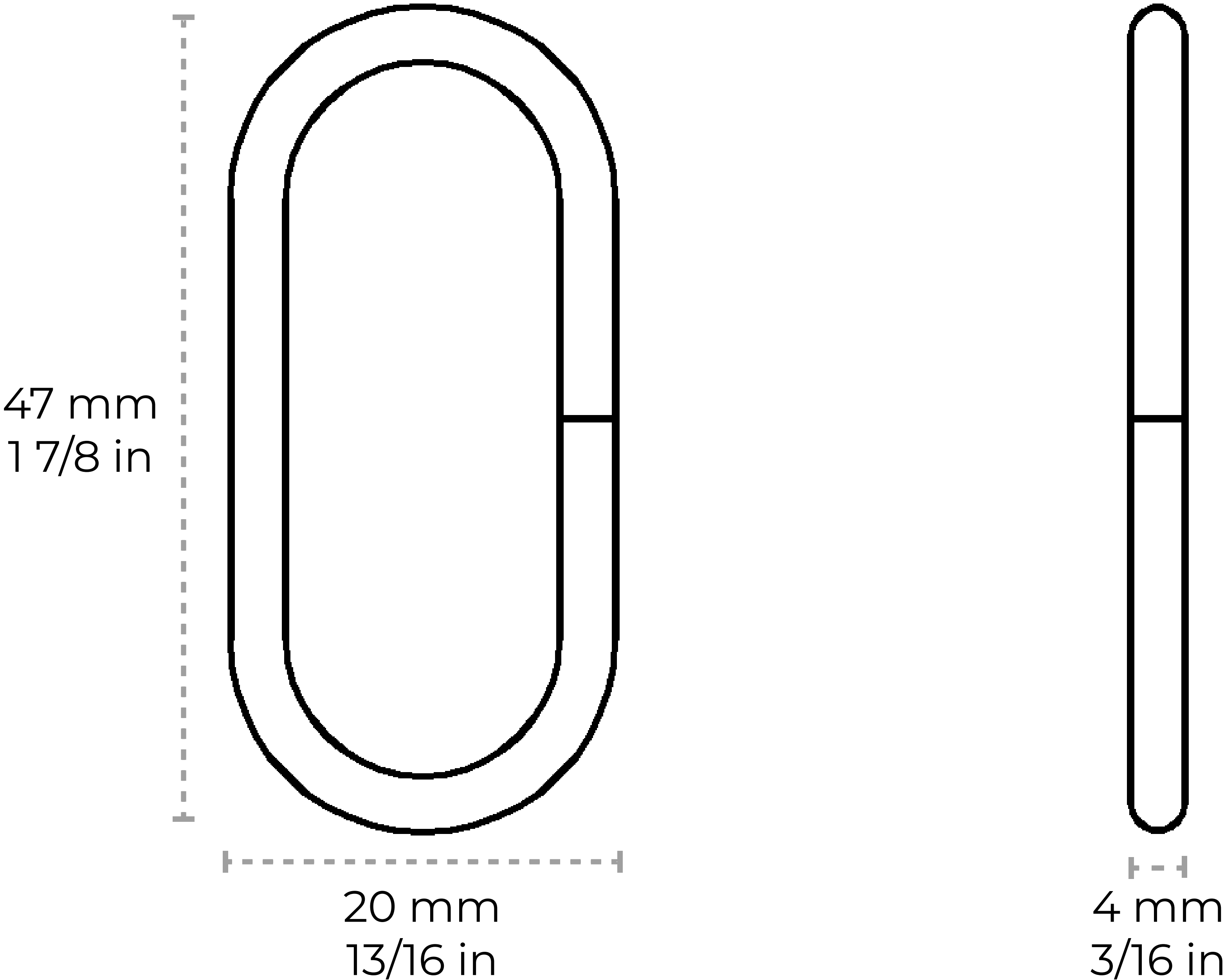


CH-ST61-U47

[Chain ST61-U] Steel Standard Link Chandelier Chain



Material	Steel
Welding Type	Unwelded
Max Load	44 lbs
Weight per Foot	0.19 lbs/ft
Main Link Measurements	Length: 47 mm 1 7/8 in Width: 20 mm 13/16 in Diameter: 4 mm 3/16 in

Contact:

1-360-392-8121
<https://www.rchhardware.com>

