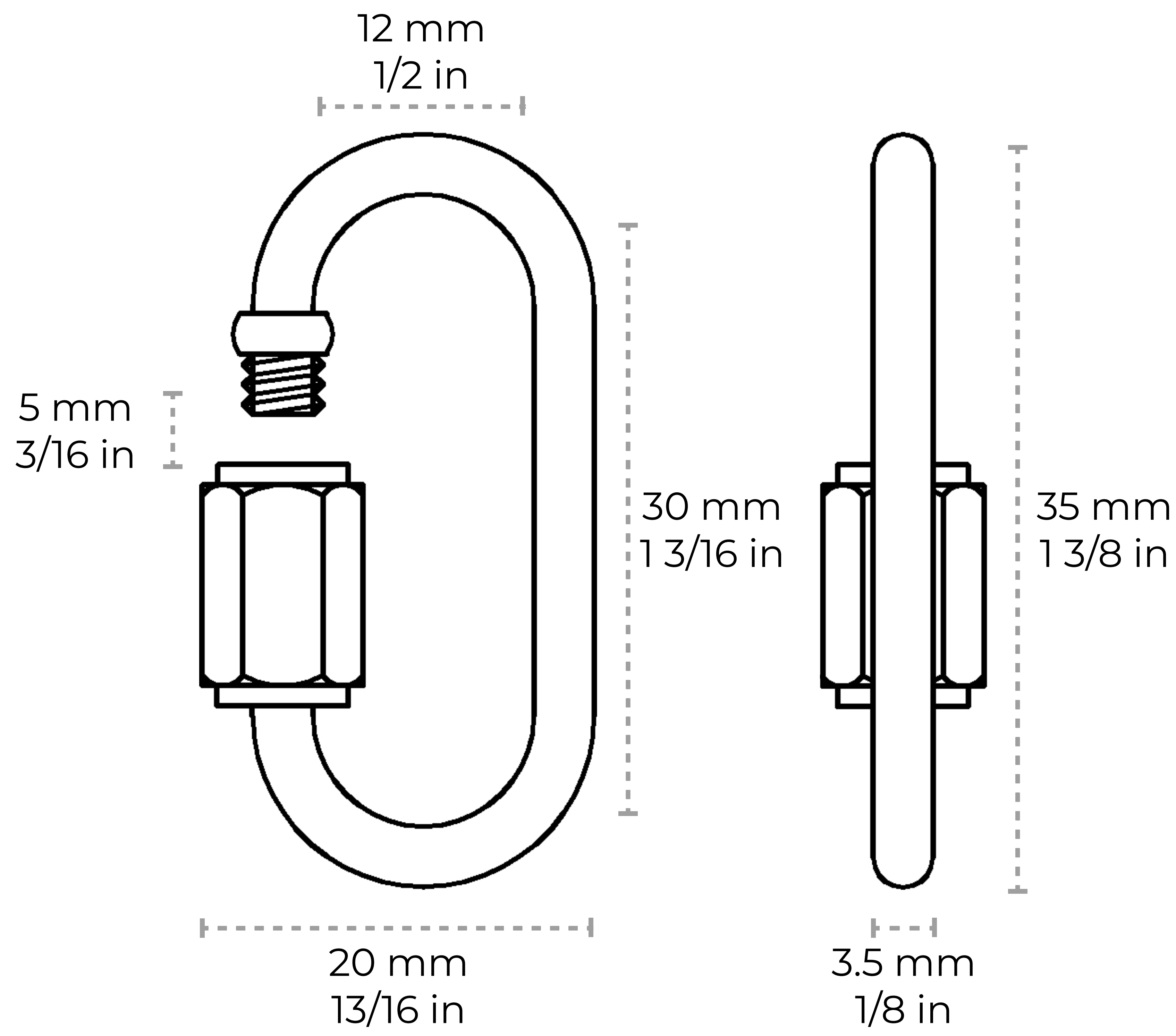


QL-BR01-35

[Quick-Link BR01] Brass Quick Link



Material	Brass	
Weight	0.02 lbs	
Max Load	Untested	
Gauge	8	
Length	35 mm	1 3/8 in
Width	20 mm	13/16 in
Diameter	3.5 mm	1/8 in
Opening Length	5 mm	3/16 in
Inner Length	30 mm	1 3/16 in
Inner Width	12 mm	1/2 in

Contact:

1-360-392-8121

<https://www.rchhardware.com>

