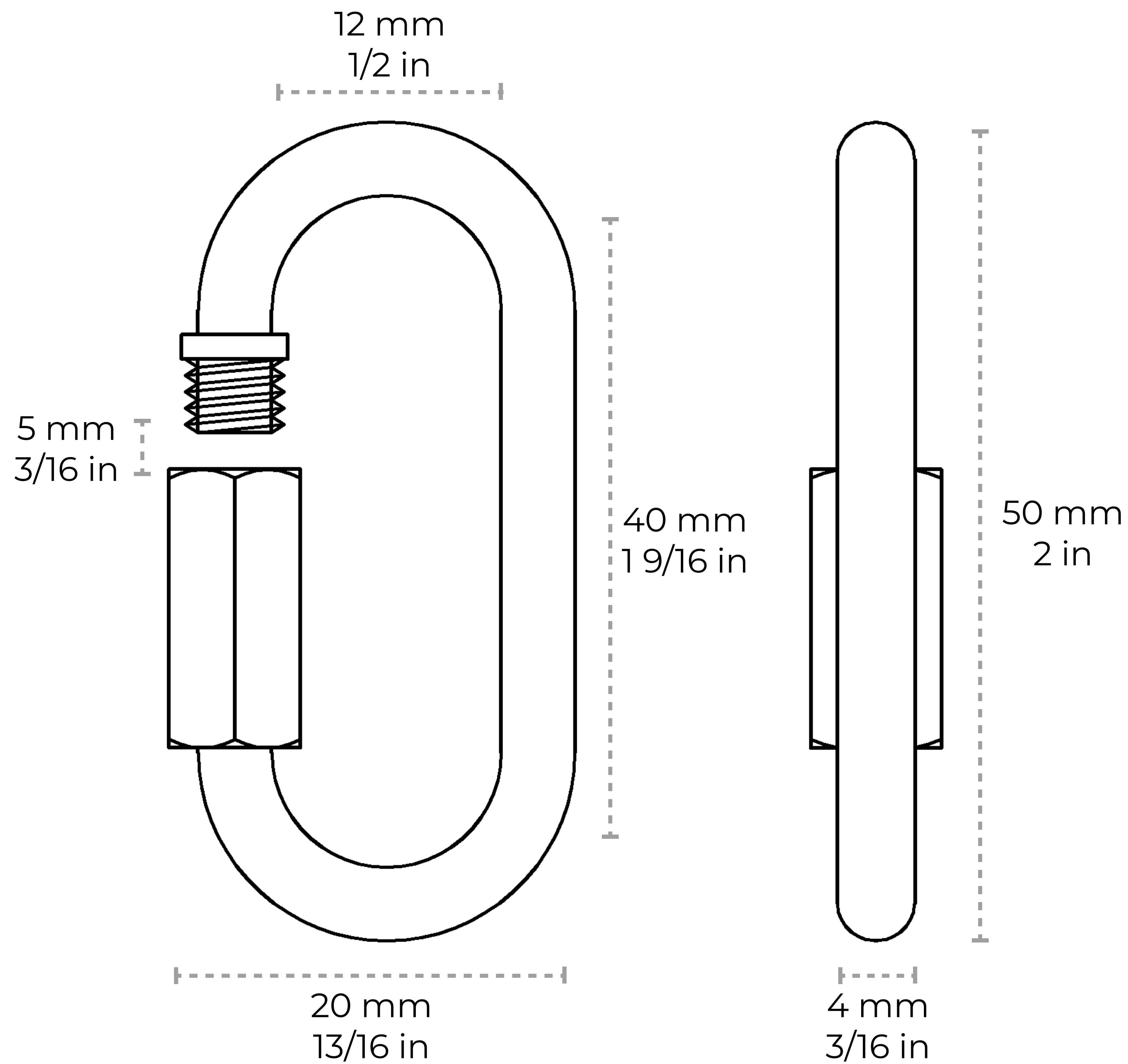


# QL-BR01-50

## [Quick-Link BR01] Brass Quick Link



Material	Brass	
Weight	0.04 lbs	
Max Load	Untested	
Gauge	7	
Length	50 mm	2 in
Width	20 mm	13/16 in
Diameter	4 mm	3/16 in
Opening Length	5 mm	3/16 in
Inner Length	40 mm	1 9/16 in
Inner Width	12 mm	1/2 in

### Contact:

1-360-392-8121

<https://www.rchhardware.com>

