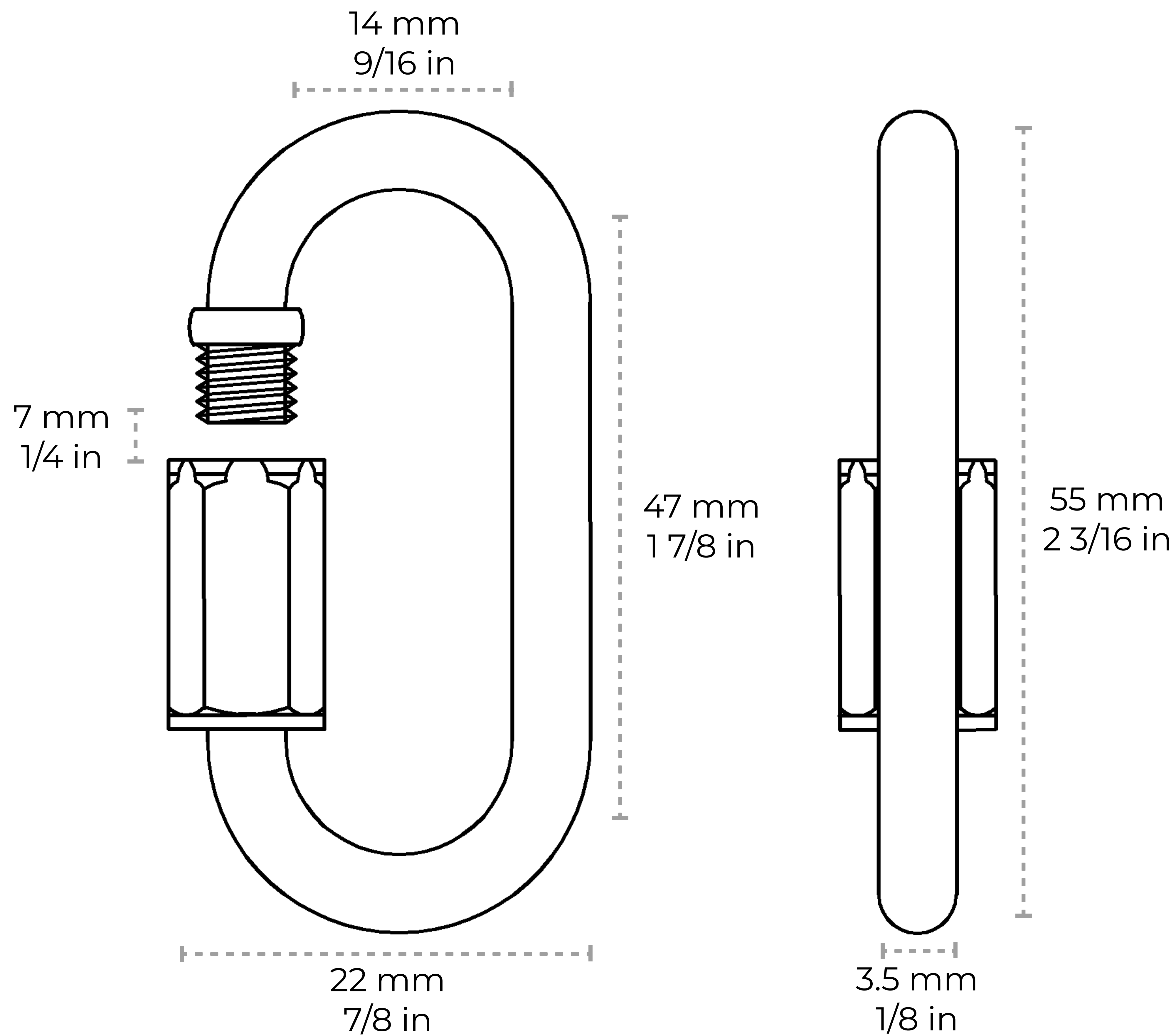


# QL-BR01-55

## [Quick-Link BR01] Brass Quick Link



Material	Brass	
Weight	0.04 lbs	
Max Load	Untested	
Gauge	8	
Length	55 mm	2 in
Width	22 mm	7/8 in
Diameter	3.5 mm	1/8 in
Opening Length	7 mm	1/4 in
Inner Length	47 mm	1 7/8 in
Inner Width	14 mm	9/16 in

### Contact:

1-360-392-8121

<https://www.rchhardware.com>

