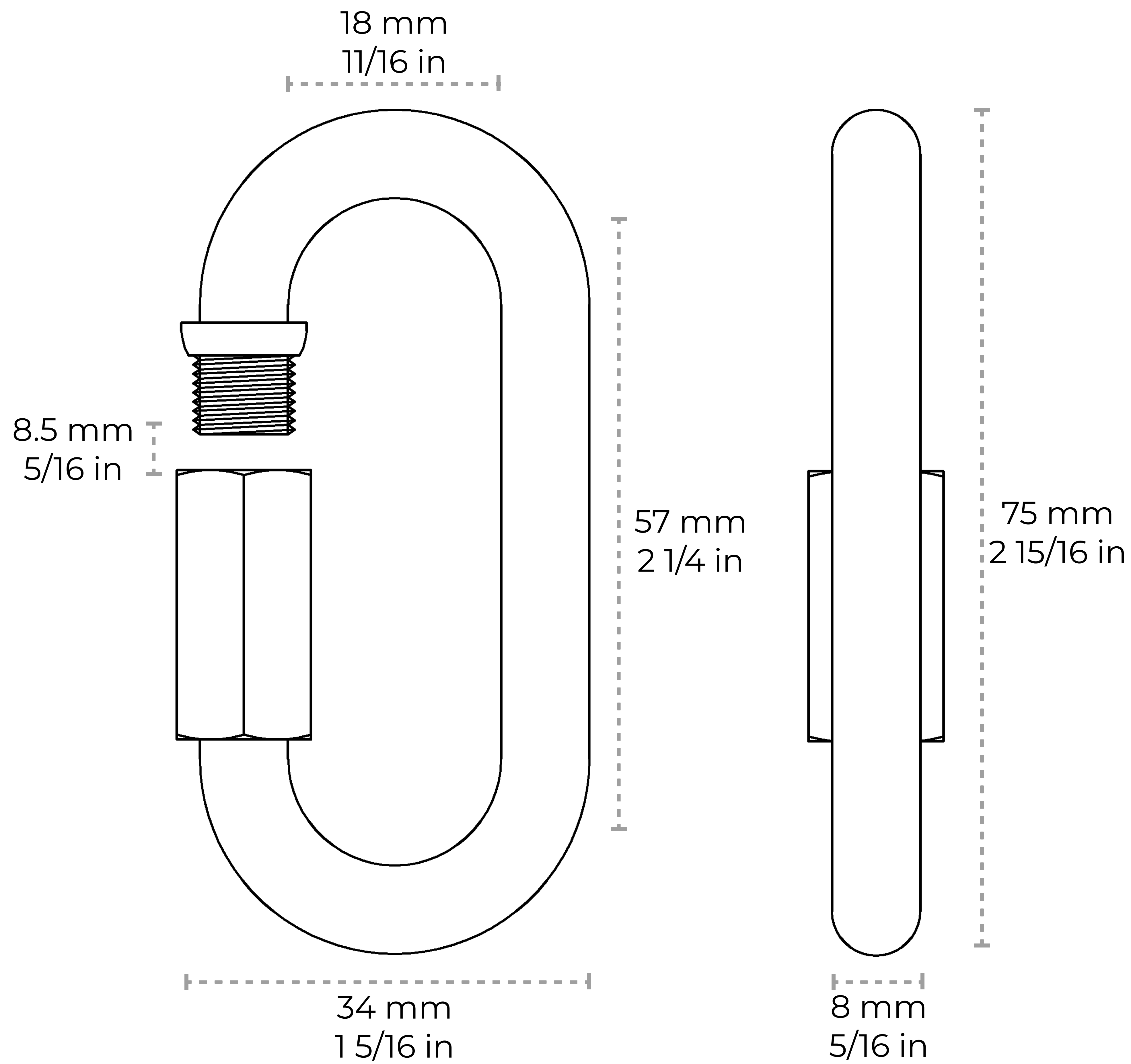


QL-SS03-75

[Quick-Link SS03] Stainless Steel Quick Link



Material	Stainless Steel	
Weight	0.16 lbs	
Max Load	1300 lbs	
Gauge	1	
Length	75 mm	2 15/16 in
Width	34 mm	1 5/16 in
Diameter	8 mm	5/16 in
Opening Length	8.5 mm	5/16 in
Inner Length	57 mm	2 1/4 in
Inner Width	18 mm	11/16 in

Contact:

1-360-392-8121

<https://www.rchhardware.com>

