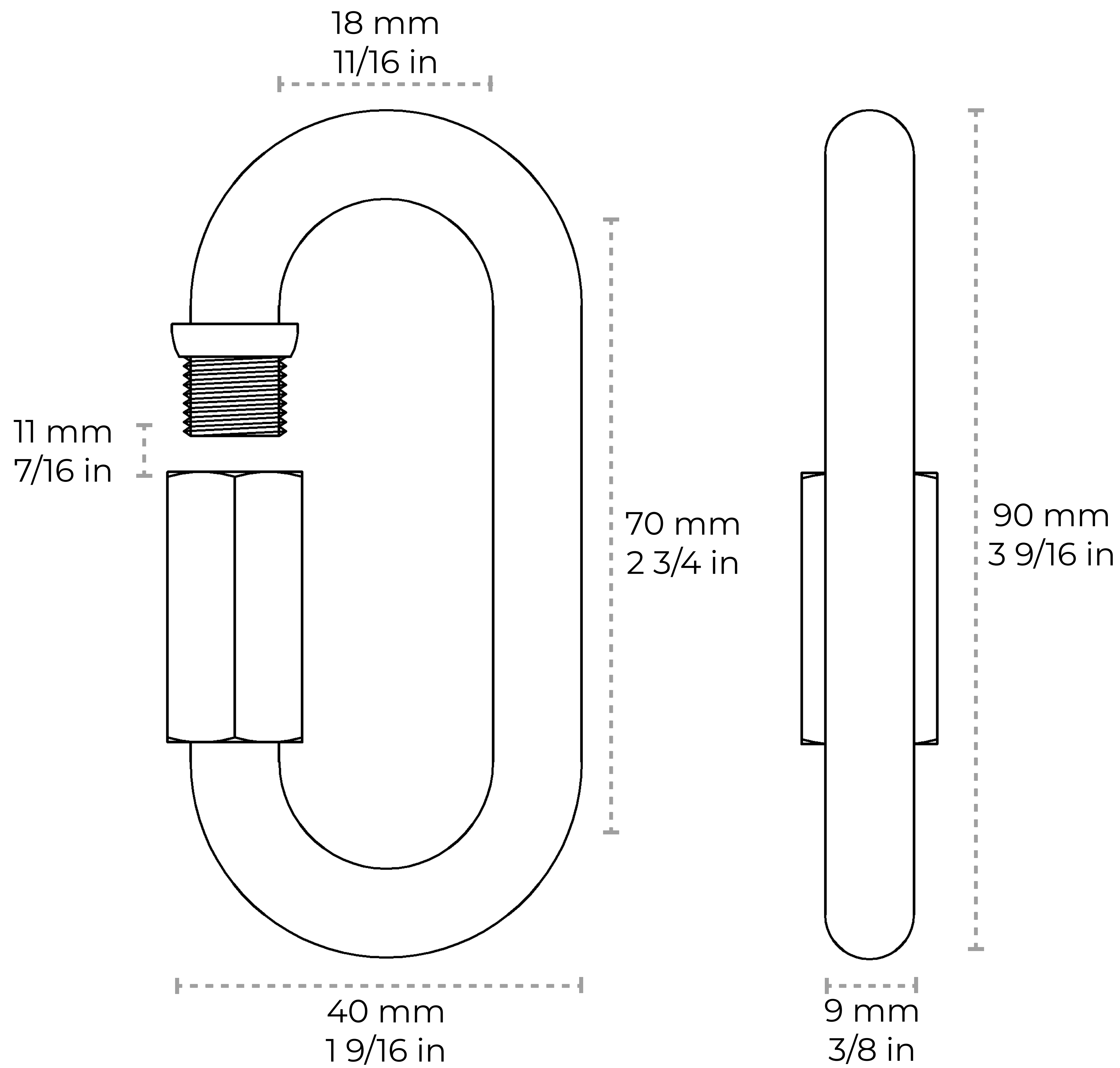


QL-SS03-90

[Quick-Link SS03] Stainless Steel Quick Link



Material	Stainless Steel	
Weight	0.30 lbs	
Max Load	1800 lbs	
Gauge	0	
Length	90 mm	3 9/16 in
Width	40 mm	1 9/16 in
Diameter	9 mm	3/8 in
Opening Length	11 mm	7/16 in
Inner Length	70 mm	2 3/4 in
Inner Width	18 mm	11/16 in

Contact:

1-360-392-8121

<https://www.rchhardware.com>

