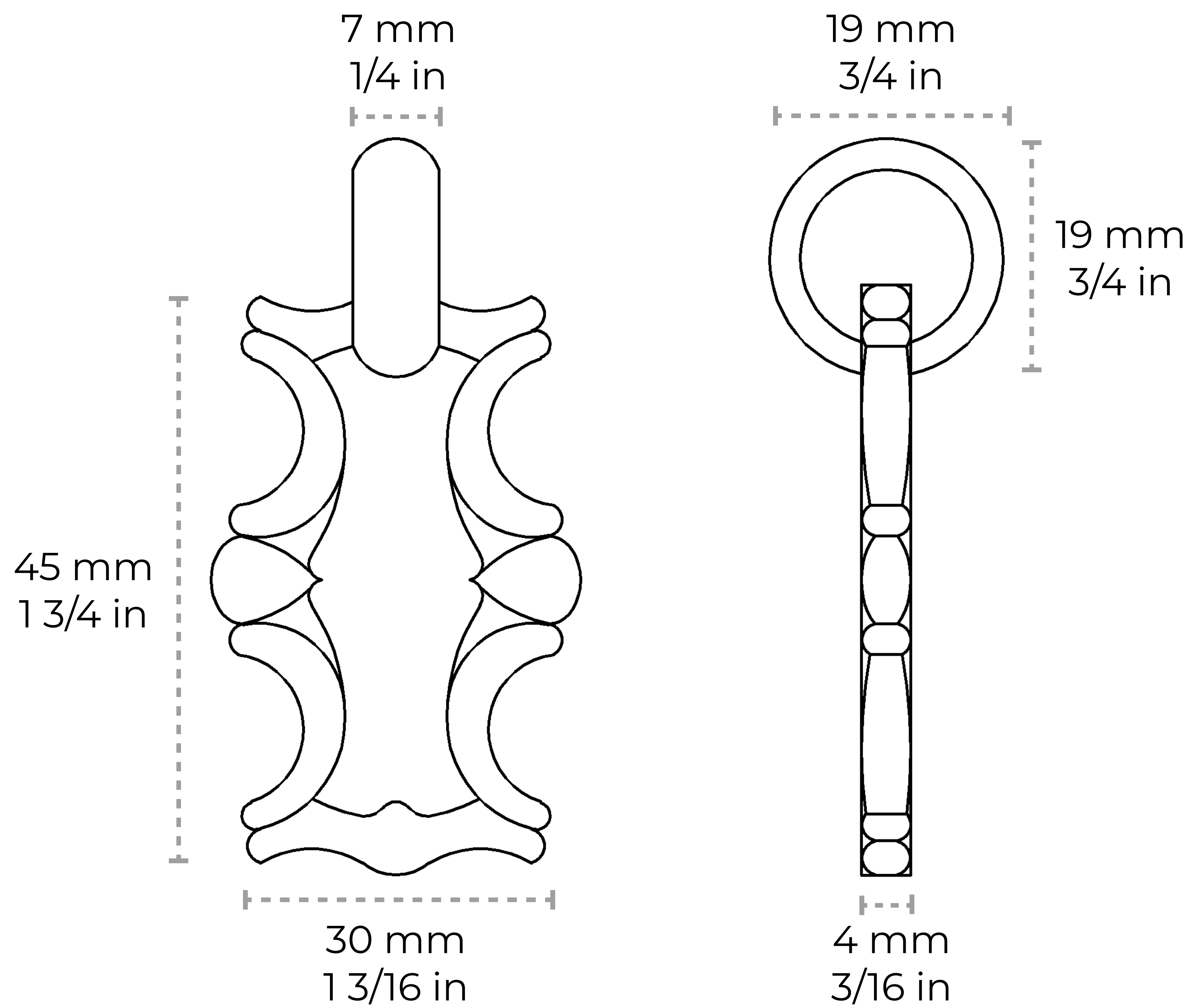


CH-BR02-W45

[Chain BR02-W] Brass Vintage Chandelier Chain



Material	Brass
Welding Type	Welded
Max Load	61 lbs
Weight per Foot	0.25 lbs/ft
Main Link Measurements	Length: 45 mm 1 3/4 in Width: 30 mm 1 3/16 in Diameter: 4 mm 3/16 in
Connecting Link Measurements	Length: 19 mm 3/4 in Width: 19 mm 3/4 in Diameter: 7 mm 1/4 in

Contact:

1-360-392-8121

<https://www.rchhardware.com>

