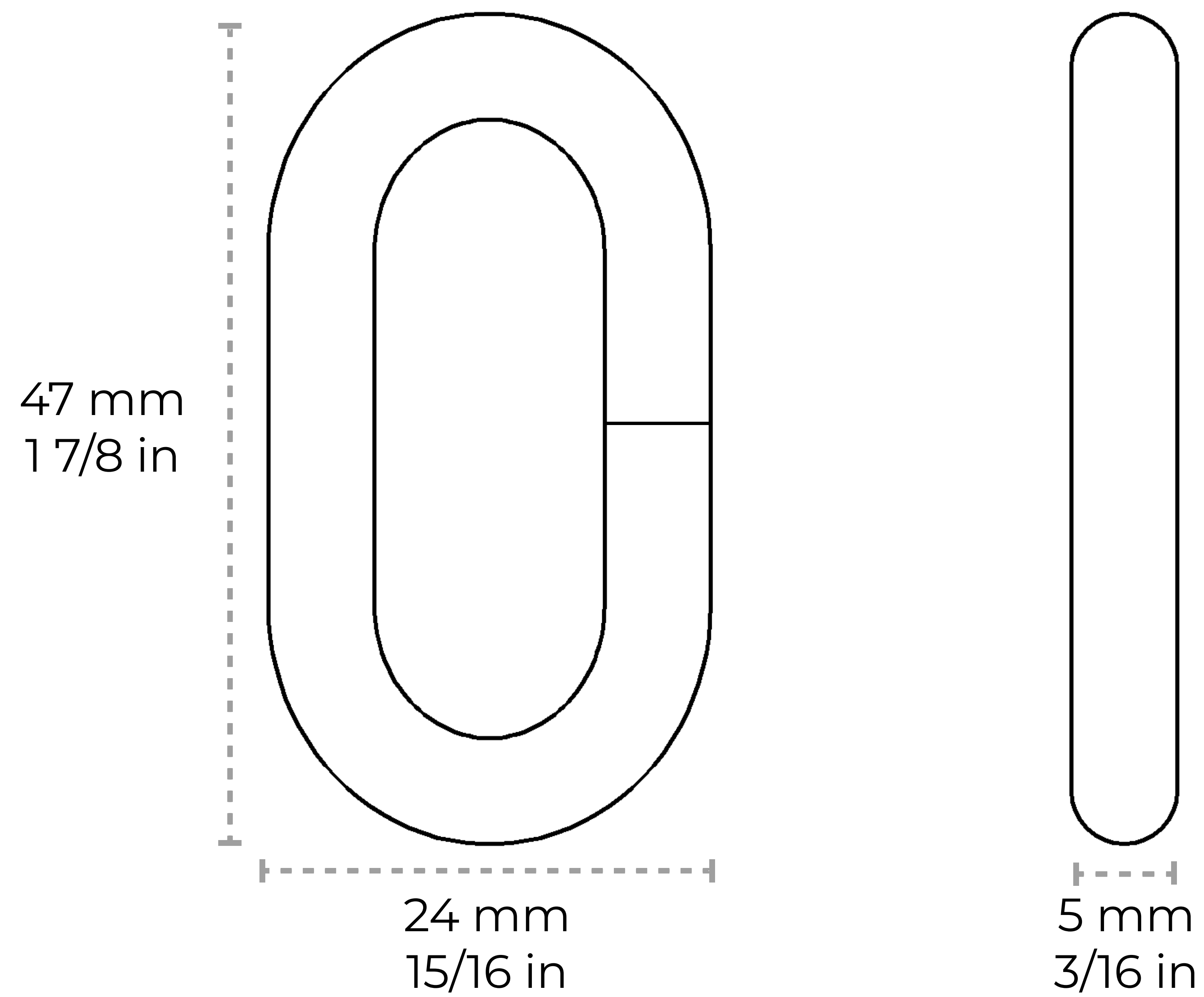


CH-BR07-U47

[Chain BR07-U] Brass Standard Link Chandelier Chain



Material	Brass
Welding Type	Unwelded
Max Load	64 lbs
Weight per Foot	0.44 lbs/ft
Main Link Measurements	Length: 47 mm 1 7/8 in Width: 24 mm 15/16 in Diameter: 5 mm 3/16 in

Contact:

1-360-392-8121

<https://www.rchhardware.com>

