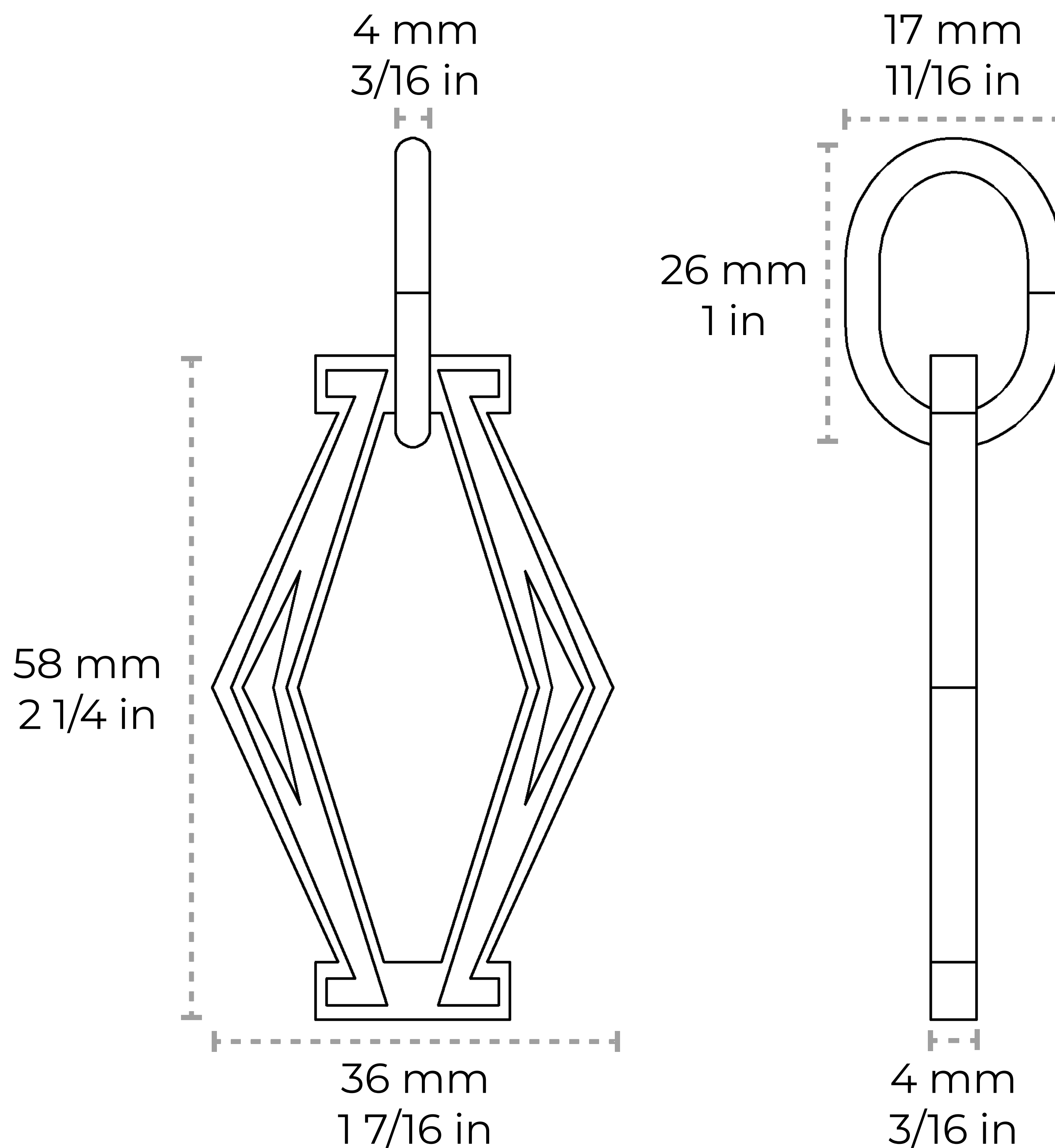


CH-BR22-U58

[Chain BR22-U] Brass Vintage Chandelier Chain



Material	Brass
Welding Type	Unwelded
Max Load	30 lbs
Weight per Foot	0.28 lbs/ft
Main Link Measurements	Length: 58 mm 2 1/4 in Width: 36 mm 1 7/16 in Diameter: 4 mm 3/16 in
Connecting Link Measurements	Length: 26 mm 1 in Width: 17 mm 11/16 in Diameter: 4 mm 3/16 in

Contact:

1-360-392-8121

<https://www.rchhardware.com>

