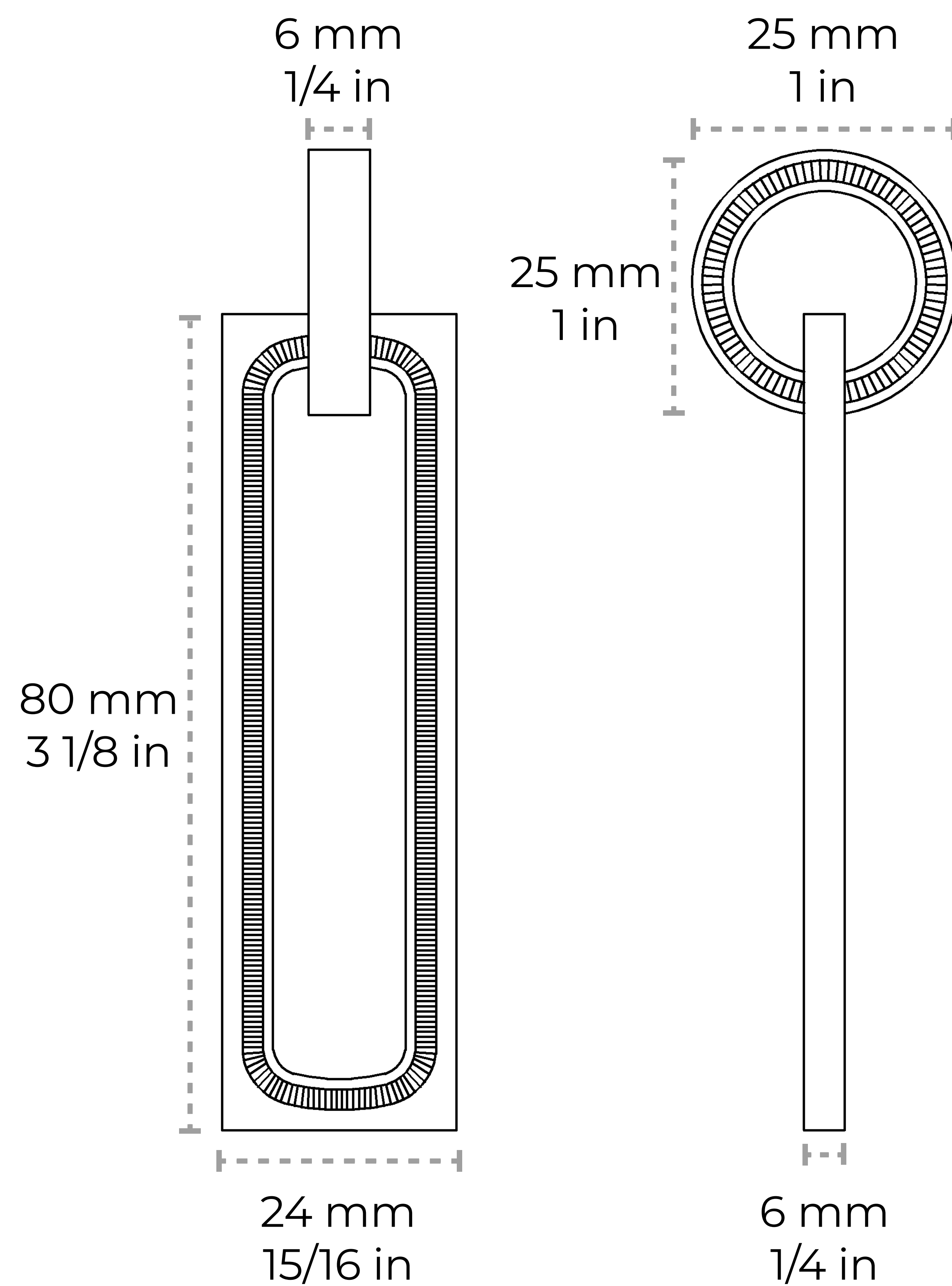


CH-BR29-H80

[Chain BR29-H] Brass Rectangle Chandelier Chain



Material	Brass
Welding Type	Hinge
Max Load	349 lbs
Weight per Foot	0.56 lbs/ft
Main Link Measurements	Length: 80 mm 3 1/8 in Width: 24 mm 15/16 in Diameter: 6 mm 1/4 in
Connecting Link Measurements	Length: 25 mm 1 in Width: 25 mm 1 in Diameter: 6 mm 1/4 in

Contact:

1-360-392-8121

<https://www.rchhardware.com>

