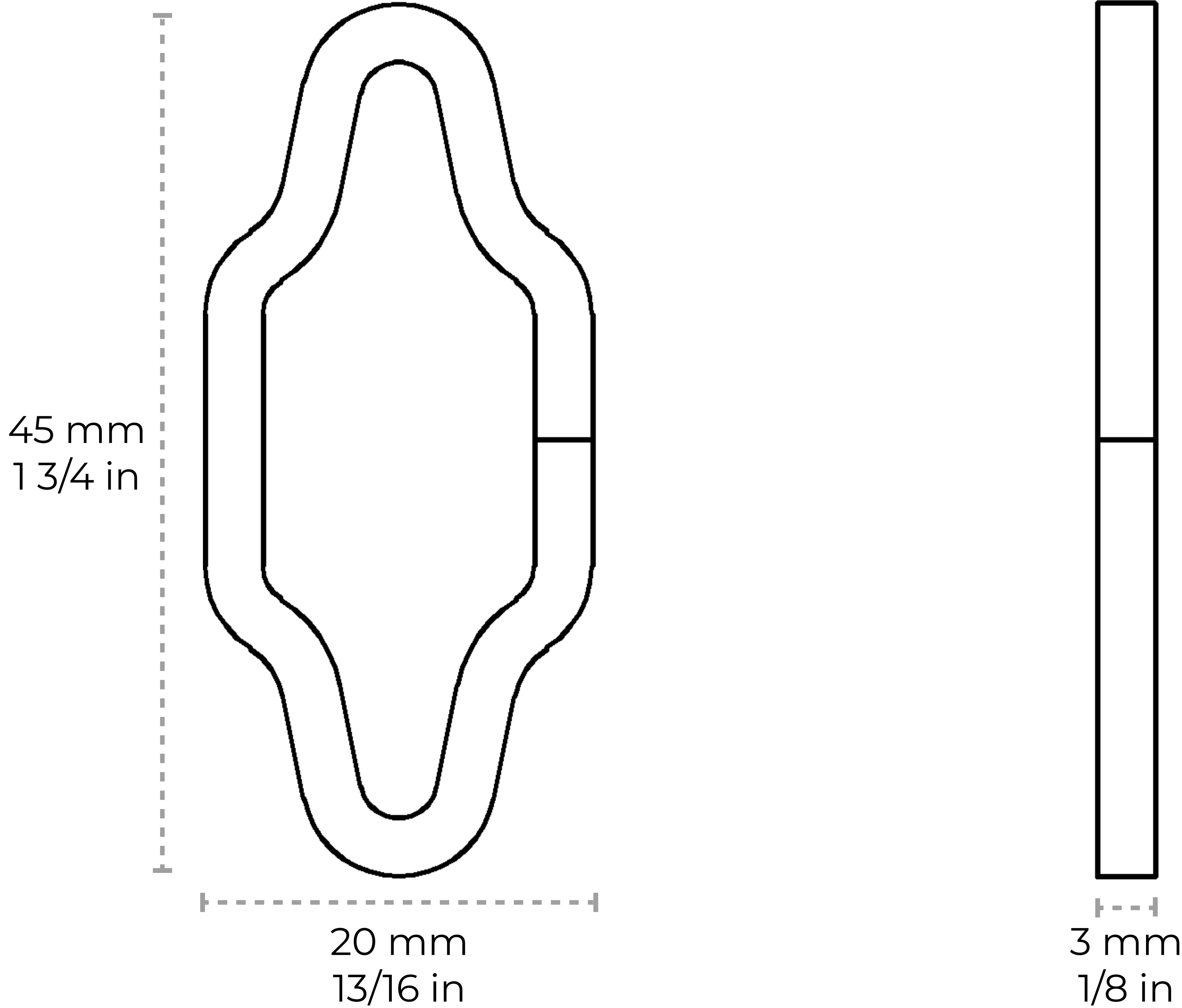


# CH-ST57-U45

## [Chain ST57-U] Steel Cathedral Chandelier Chain



|                        |  |
|------------------------|--|
| Material               | Steel  |
| Welding Type           | Unwelded   |
| Max Load               | 37 lbs   |
| Weight per Foot        | 0.13 lbs/ft  |
| Main Link Measurements | Length: 45 mm 1 3/4 in<br>Width: 20 mm 13/16 in<br>Diameter: 3 mm 1/8 in |

**Contact:**

1-360-392-8121  
<https://www.rchhardware.com>

