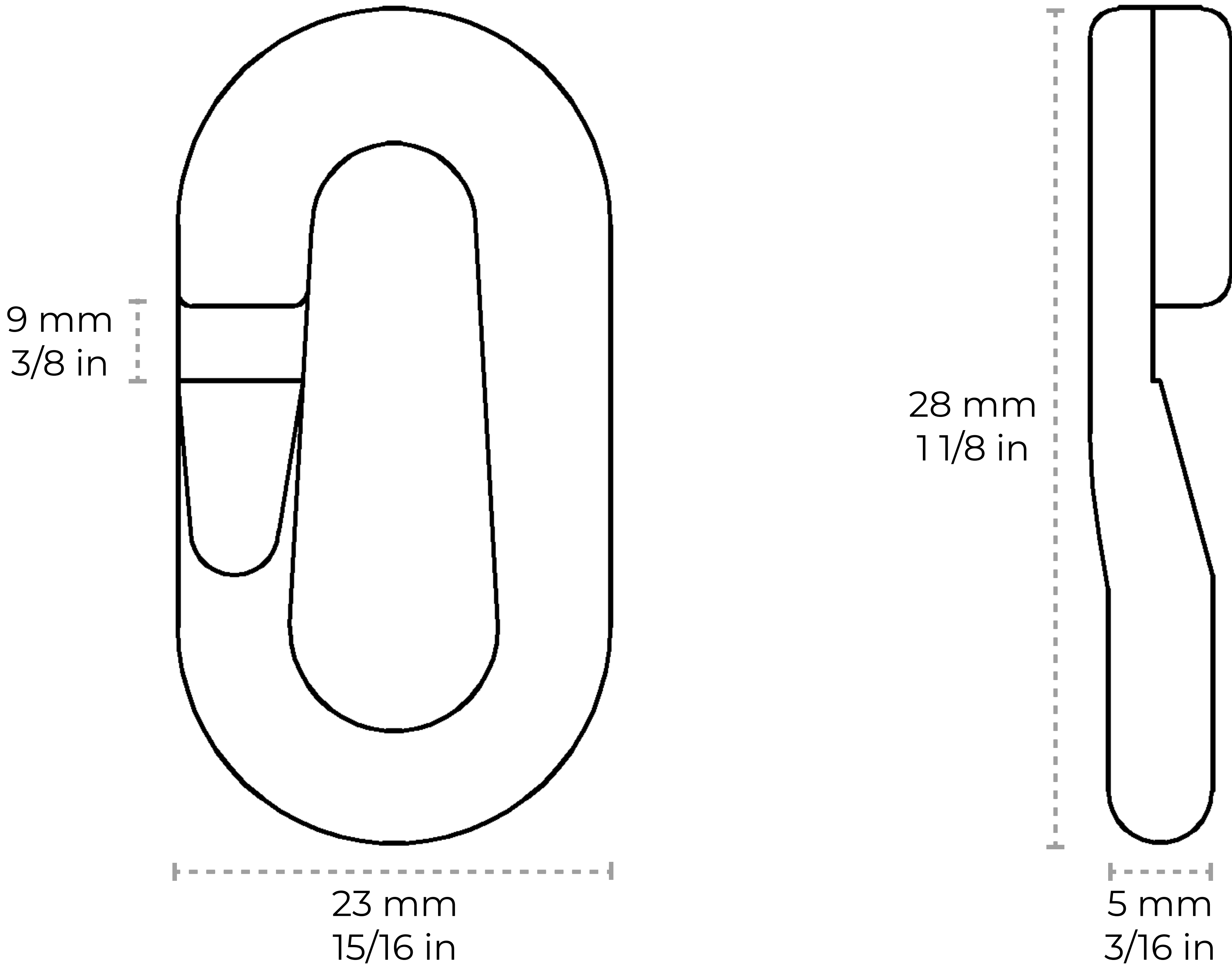


QL-PL55-28

[Quick-Link PL55] Plastic Quick Link



Material	Plastic	
Weight	0.01 lbs	
Max Load	Untested	
Gauge	5	
Length	28 mm	1 1/8 in
Width	23 mm	15/16 in
Diameter	5 mm	3/8 in
Opening Length	9 mm	3/8 in

Contact:

1-360-392-8121
<https://www.rchhardware.com>

