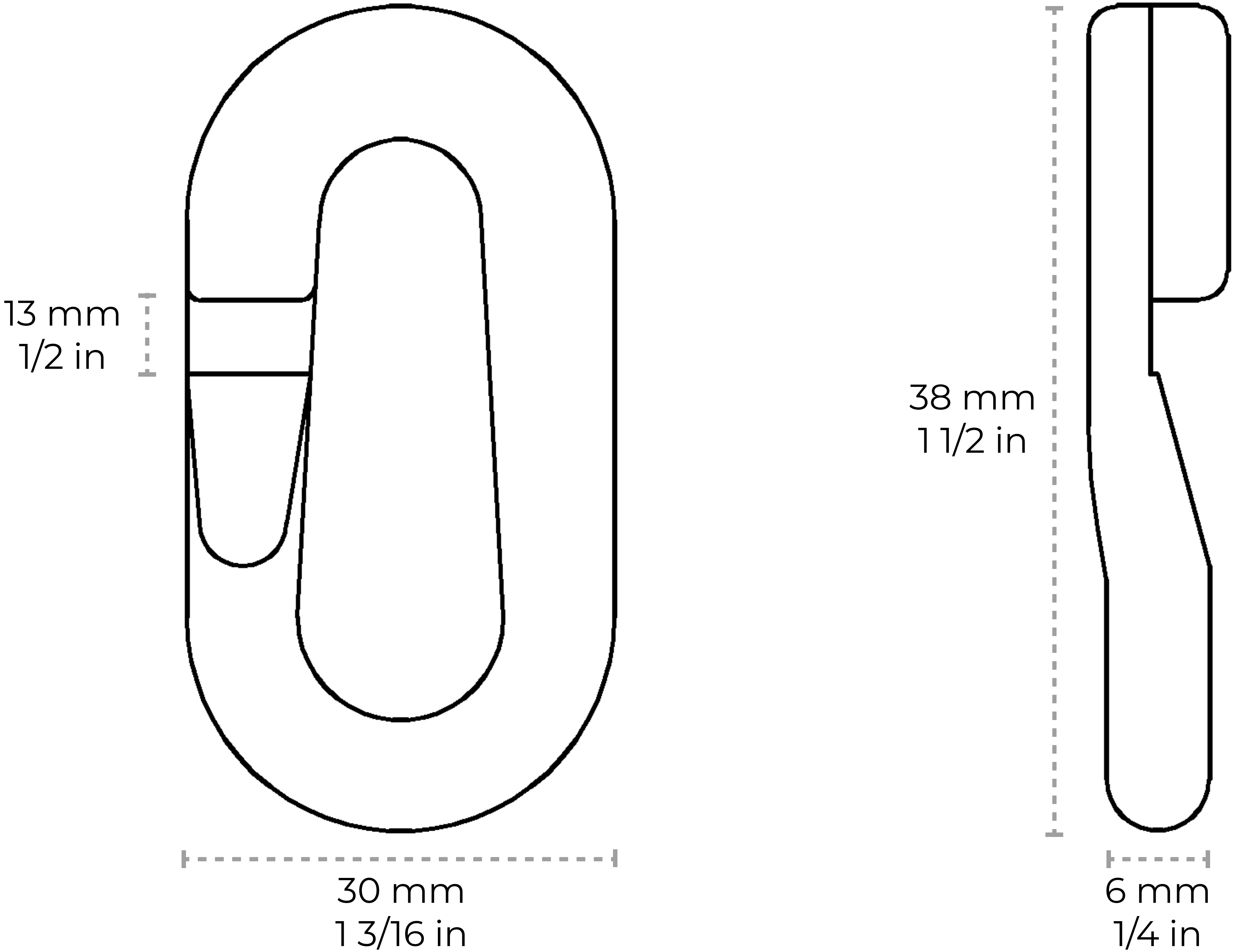


QL-PL55-38

[Quick-Link PL55] Plastic Quick Link



Material	Plastic	
Weight	0.01 lbs	
Max Load	Untested	
Gauge	3	
Length	38 mm	1 1/2 in
Width	30 mm	1 3/16 in
Diameter	6 mm	1/4 in
Opening Length	13 mm	1/2 in

Contact:

1-360-392-8121
<https://www.rchhardware.com>

