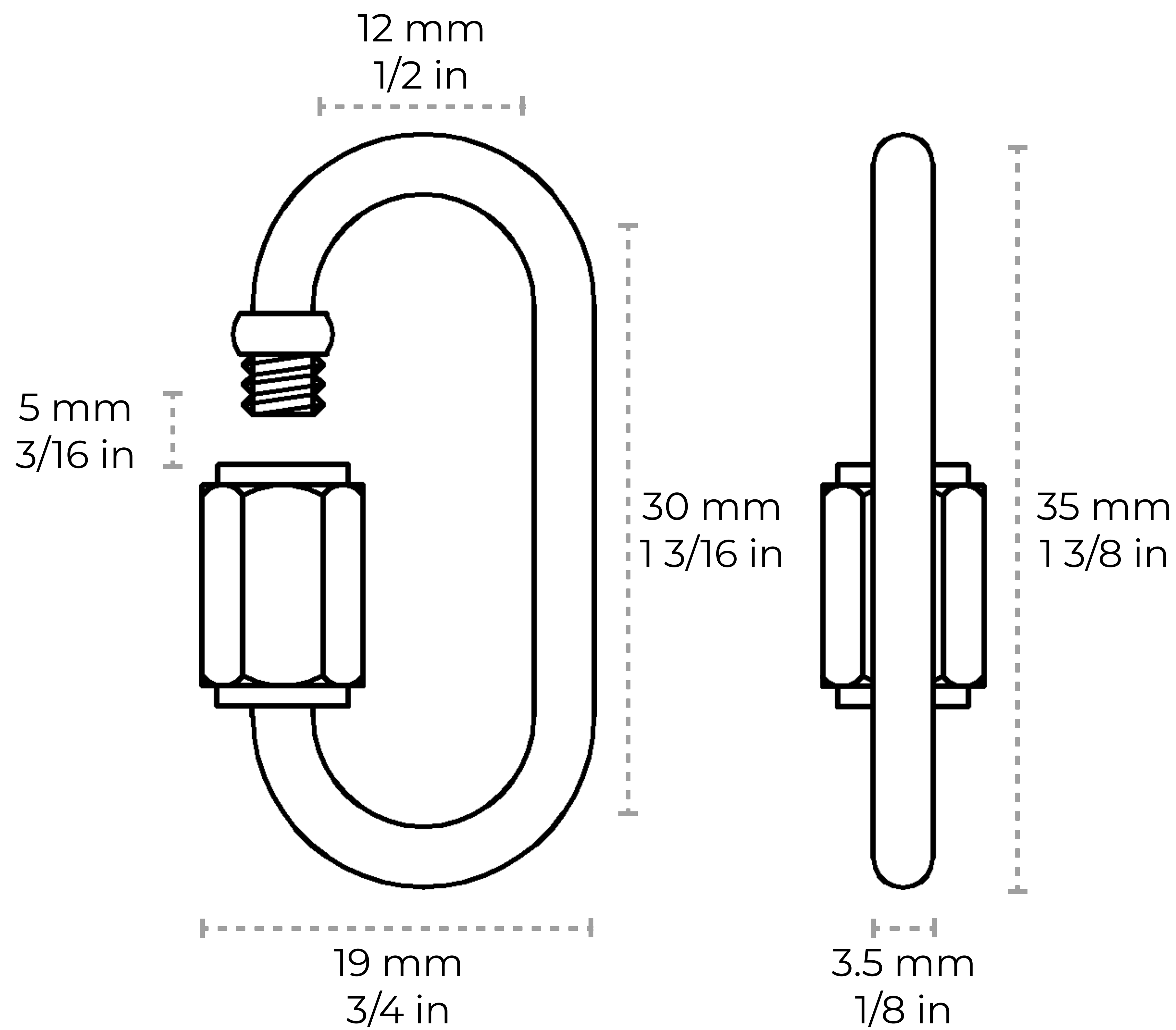


QL-SS03-35

[Quick-Link SS03] Stainless Steel Quick Link



Material	Stainless Steel	
Weight	0.02 lbs	
Max Load	220 lbs	
Gauge	8	
Length	35 mm	1 3/8 in
Width	19 mm	3/4 in
Diameter	3.5 mm	1/8 in
Opening Length	5 mm	3/16 in
Inner Length	30 mm	1 3/16 in
Inner Width	12 mm	1/2 in

Contact:

1-360-392-8121

<https://www.rchhardware.com>

