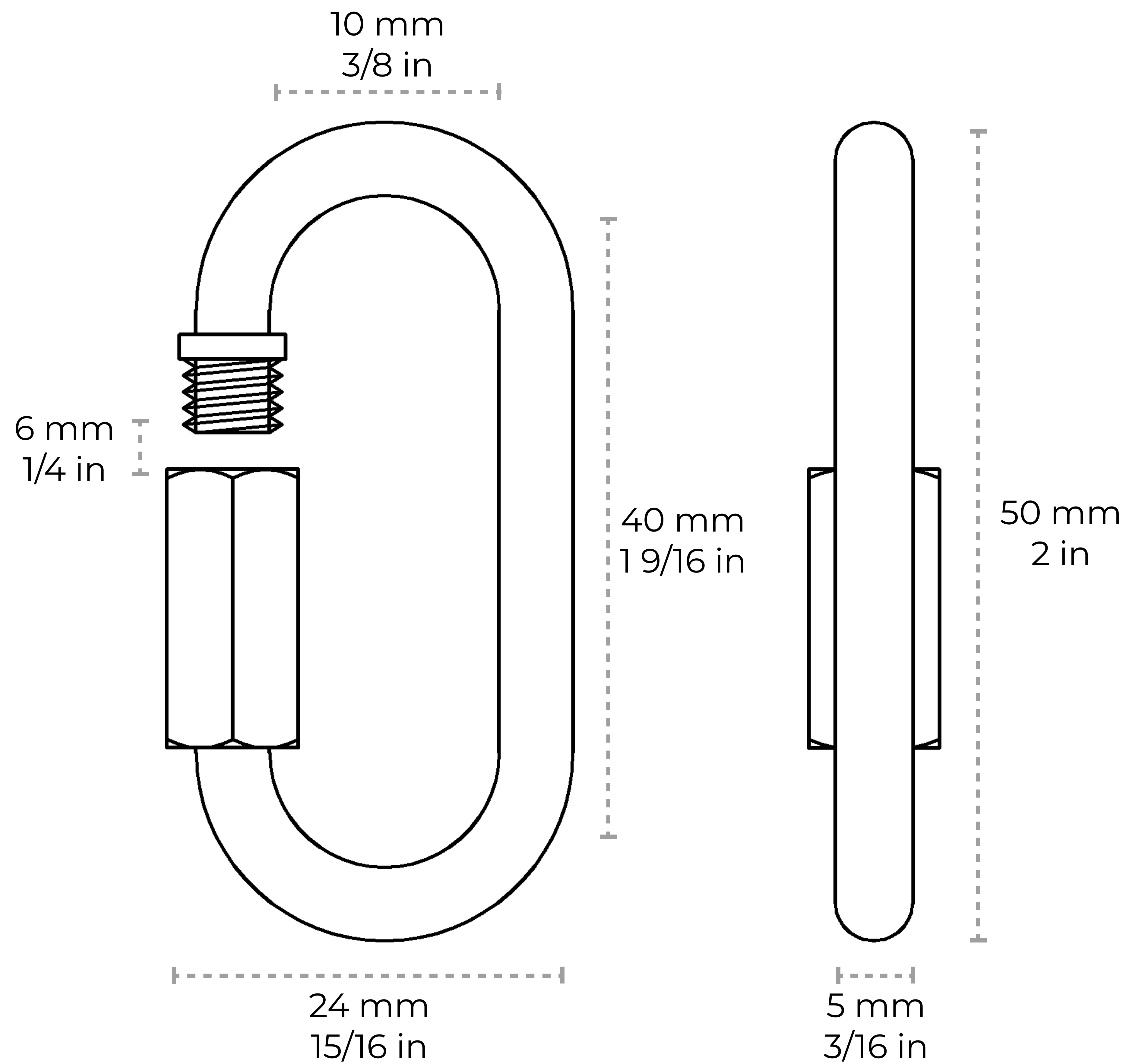


QL-SS03-50

[Quick-Link SS03] Stainless Steel Quick Link



Material	Stainless Steel	
Weight	0.04 lbs	
Max Load	350 lbs	
Gauge	5	
Length	50 mm	2 in
Width	24 mm	15/16 in
Diameter	5 mm	3/16 in
Opening Length	6 mm	1/4 in
Inner Length	40 mm	1 9/16 in
Inner Width	10 mm	3/8 in

Contact:

1-360-392-8121

<https://www.rchhardware.com>

